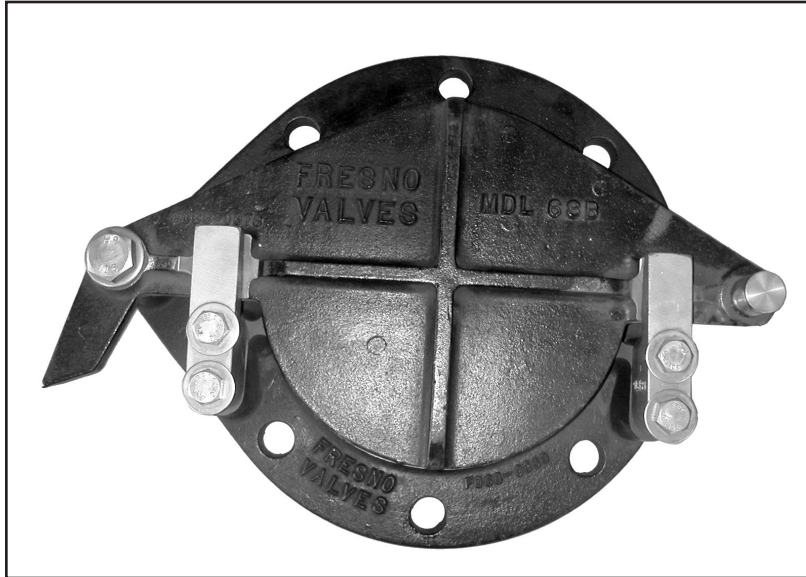




FRESNO

SERIES 6800 SHEAR GATE VALVES

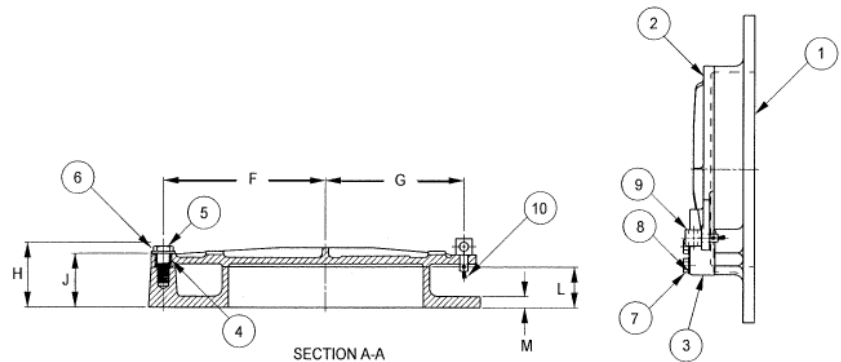
TECHNICAL DATA SHEET



Series 6800 Model 68B Shear Gate

Features

- Durable cast iron construction
- Simple design
- Economical



Material Specifications

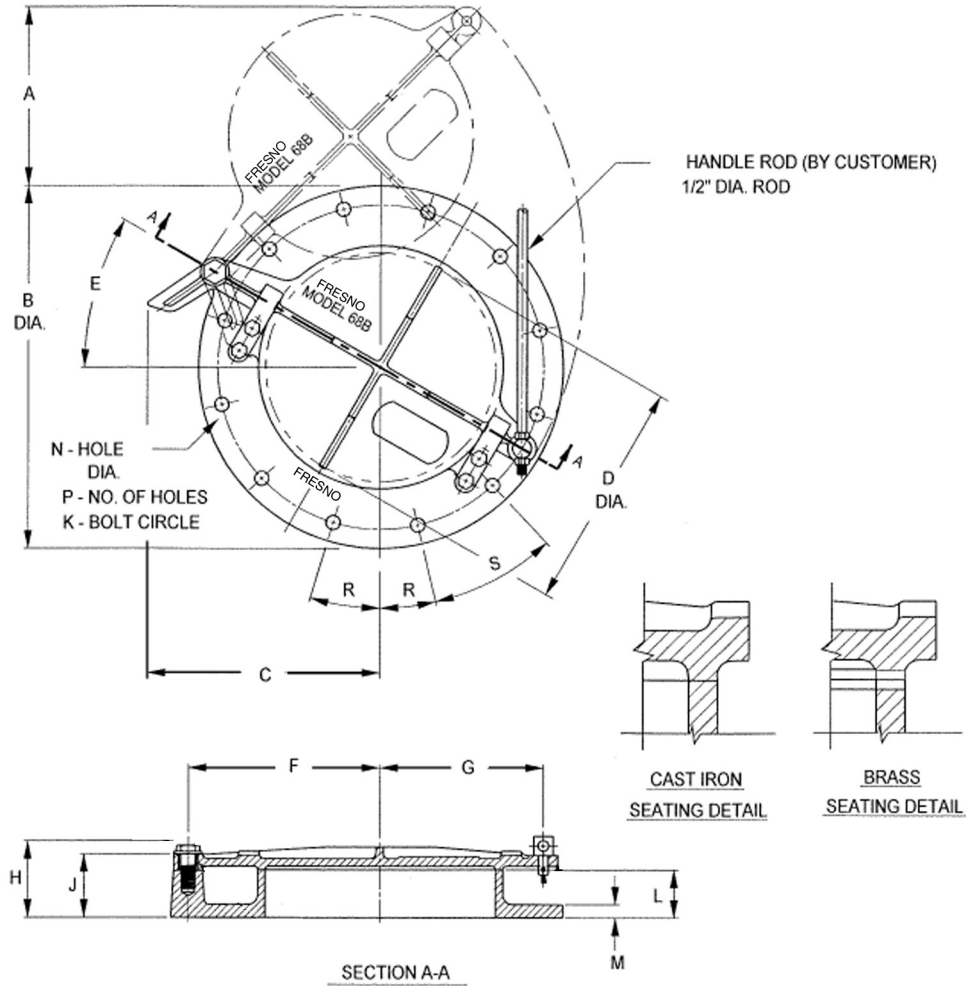
Item	Description	Material	Specification
1	Frame	Cast Iron	ASTM A126, Class B
2	Cover	Cast Iron	ASTM A126, Class B
3	Wedge Blocks	Brass	ASTM B16, Class B
4	Pivot Bushing	Brass	ASTM B16, Class B
5	Pivot Bolt	Stainless Steel	ASTM 276, Type 304
6	Pivot Bolt Washer	Stainless Steel	ASTM 276, Type 304
7	Wedge Block Bolts	Stainless Steel	ASTM 276, Type 304
8	Wedge Block Washers	Stainless Steel	ASTM 276, Type 304
9	Handle Connector	Brass	ASTM B16, Class B
10	Cotter Pin	Stainless Steel	ASTM 276, Type 304

Applications

The Series 6800 Shear Gate Valves are designed for use in low seating head applications where an economical shear gate is required for control in ponds and other water control applications.

SPECIFICATIONS

SERIES 6800 SHEAR GATE VALVES



Dimensional Information Model 68B

Valve Size (inches)	Dimensions (Inches)															
	A	B	C	D	E	F	G	H	J	K	L	M	N	P	R	S
6	4 ⁵ / ₁₆	11	7 ³ / ₁₆	6	45°	6	5 ³¹ / ₃₂	4 ¹ / ₁₆	3 ⁷ / ₁₆	9 ¹ / ₄	2 ¹ / ₂	5 ⁵ / ₈	7 ⁷ / ₈	6	22°30'	45°
8	7 ⁷ / ₁₆	13 ¹ / ₂	10 ⁹ / ₃₂	8	22°30'	8	7 ¹ / ₂	4 ¹ / ₁₆	3 ⁷ / ₁₆	11 ³ / ₄	2 ¹ / ₂	1 ¹ / ₁₆	3 ³ / ₄	8	22°30'	45°
10	7 ²⁵ / ₃₂	16	10 ²¹ / ₃₂	10	45°	9 ¹ / ₂	9	4 ¹ / ₁₆	3 ⁷ / ₁₆	14 ¹ / ₄	2 ¹ / ₂	1 ¹ / ₁₆	3 ³ / ₄	10	15°	30°
12	9 ⁹ / ₁₆	19	12 ²⁵ / ₃₂	12	30°	10	8 ¹ / ₂	4 ¹ / ₁₆	3 ⁷ / ₁₆	17	2 ¹ / ₂	1 ¹ / ₁₆	3 ³ / ₄	12	15°	30°
14	13 ³ / ₁₆	21	11 ⁷ / ₈	14	45°	11 ¹ / ₈	11	4 ¹ / ₂	3 ¹ / ₂	18 ³ / ₄	2 ¹ / ₂	3 ³ / ₄	3 ³ / ₄	12	15°	30°



FRESNO
Valves & Castings, Inc.

Specifications subject to change without notice.

Fresno Valves & Castings, Inc.
7736 East Springfield Avenue
P.O. Box 40, Selma, CA 93662, U.S.A.
(800) 333-1658
www.fresnovalves.com

Sheet No. 6800-1/05