

SERIES 6700 MODEL 1001C COMBINATION GATE

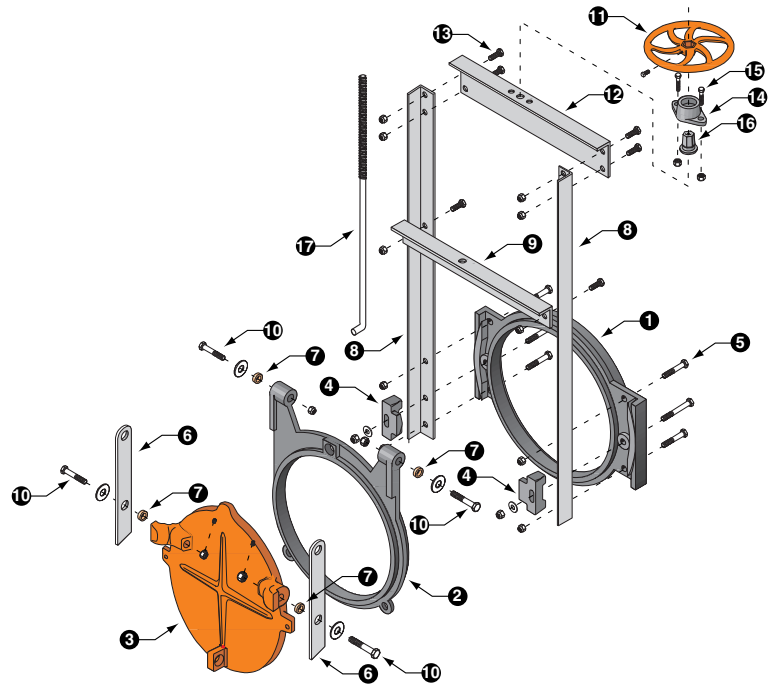


Features

- Combines the features of a Model 101C Slide Gate and a Model 10C Flap Gate.
- Rugged cast iron seat and cover
- Precision machined seating surfaces.
- Roll threaded rising stem provides ease of operation and extended stem life.
- One-piece adjustable wedges ensure uniform wedging action.
- Economical backflow prevention, perfect for low head applications.
- Double pivot hinge action provides positive seating.
- Versatile for mounting to headwall or corrugated pipe.
- Balanced design ensures maximum responsiveness.

Material Specifications

Item	Description	Material	Specification
1	Seat	Cast Iron	ASTM A126, Class B
2	Middle Ring	Cast Iron	ASTM A126, Class B
3	Cover	Cast Iron	ASTM A126, Class B
4	Wedges	Cast Iron	ASTM A126, Class B
5	Wedge Bolts, Nuts & Washers	Steel, Plated	ASTM A307, A164
6	Links	Steel, Galvanized	ASTM A36, A123
7	Bushings	Bronze	ASTM B16
8	Slide Rail	Steel, Galvanized	ASTM A36, A123
9	Stem Support	Steel, Galvanized	ASTM A36, A123
10	Hinge Bolts, Nuts & Washers	Steel, Plated	ASTM A307, A164
11	Handwheel	Cast Iron	ASTM A126, Class B
12	Head Angle	Steel, Galvanized	ASTM A36, A123
13	Head Angle Bolts & Nuts	Steel, Plated	ASTM A307, A164
14	Keeper	Cast Iron	ASTM A126, Class B
15	Keeper Bolts & Nuts	Steel, Plated	ASTM A307, A164
16	Lift Nut	Bronze	ASTM B584, Alloy 836
17	Stem	Steel	ASTM A108, Grade 1045



Applications

The Series 6700 Combination Gate combines the features of a slide gate and flap gate. In the closed position it operates as a flap gate, permitting outflow while preventing backflow. A handwheel lift is used to raise and lower the flap.

SPECIFICATIONS

Pressure Rating

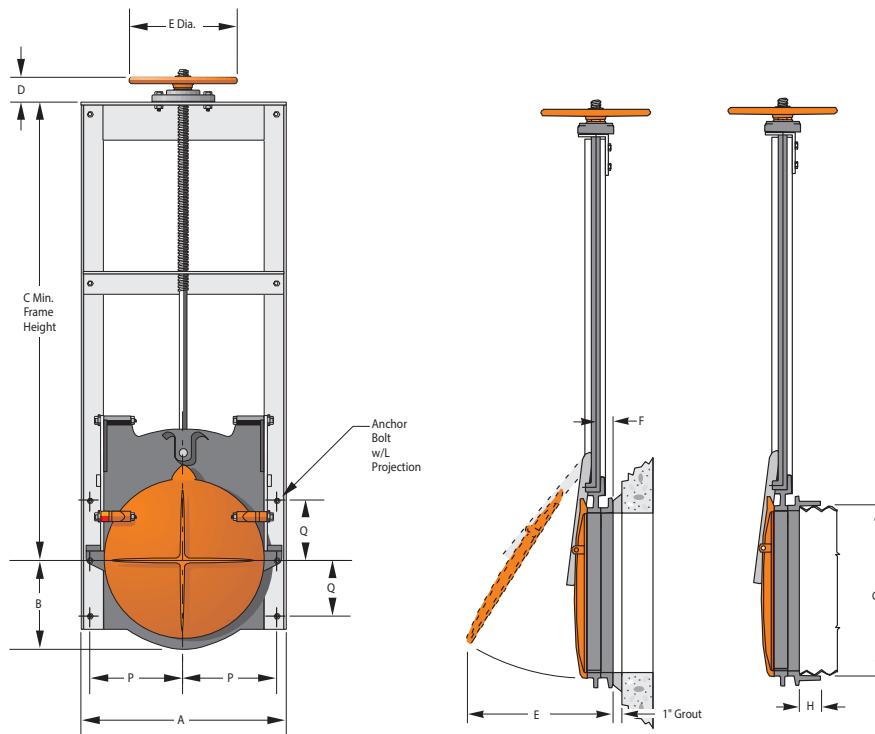
Maximum seating head 10 ft.

Installation

The Series 6700 Combination Gate is normally installed on corrugated steel pipe or bolted to a concrete head wall. When attaching to corrugated pipe, you may either bolt directly to the spigot back seat, or use a rod and harness assembly.

Options

Available in painted, galvanized or stainless steel frame models. Stainless steel links & bushings also available. Rod & harness assembly & various geared lifts available, both manual & electric.



Dimensional Information

Gate Size (Inches)	Dimensions (Inches)										Anchor Bolt Data			Lift Data		
	A	B	C	D	E	F	G	H	J	K	Qty.	Size	L*	Lift	H/ Wheel Dia.	Stem Dia.
18	25.50	10.88	38.00	2.88	25.81	2.88	19.25	1.50	10.50	7.00	4.0	5/7x12	4.50	H1	14.00	1-1/8
24	32.50	13.75	38.00	2.88	33.12	2.88	25.25	1.20	13.50	7.00	4.0	5/8x12	4.50	H1	14.00	1-1/8
30	39.38	17.12	58.00	2.88	41.38	3.75	31.25	2.00	16.88	12.00	4.0	3/4x12	5.25	H1	14.00	1-1/8
36	45.38	20.12	67.00	3.50	48.88	3.75	27.25	2.00	19.88	12.00	4.0	3/4x12	5.25	H2	24.00	1-1/2
42	51.38	23.12	76.50	3.50	57.00	4.12	43.38	2.00	22.88	16.00	4.0	3/4x12	5.50	H2	30.00	1-1/2
48	57.38	26.12	86.00	6.12	64.38	4.25	49.38	2.00	25.88	16.00	4.0	3/4x12	5.50	HB	24.00	1-1/2
60	69.50	33.50	106.00	6.12	79.63	5.38	61.38	2.00	32.50	20.00	4.0	1x12	5.50	HB	30.00	2.00

* add for grout pad thickness



Fresno Valves & Castings, Inc.
 7736 East Springfield Avenue
 P.O. Box 40, Selma, CA 93662, U.S.A.
(800) 333-1658
www.fresnovalves.com