

SERIES 6600 MODEL 101C SLIDE GATE

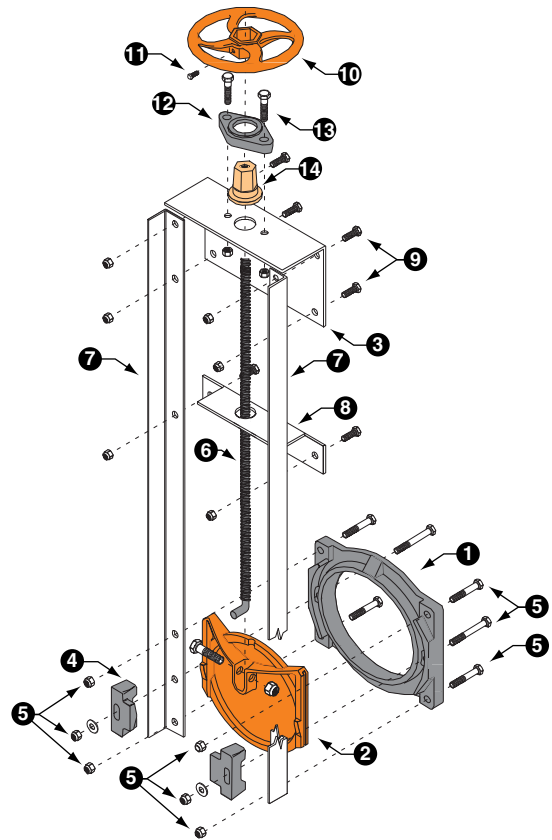


Features

- One-piece adjustable wedges ensure uniform wedging action.
- Roll threaded rising stem provides ease of operation and extended stem life.
- Rugged Cast Iron seat and cover.
- Available for mounting to headwalls or corrugated pipe.
- Precision machined seating surfaces pressure across the seat.
- Non-rising stem with leak resistant packing gland.
- Available in sizes 6" thru 24".

Material Specifications

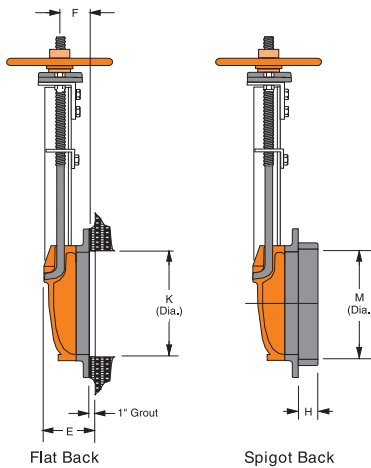
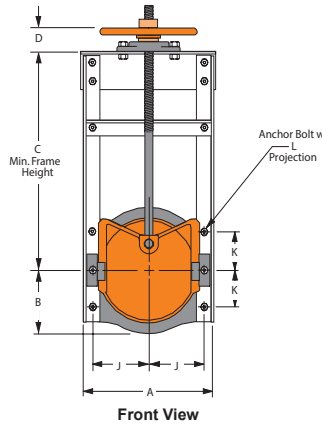
Item	Description	Material	Specification
1	Seat	Cast Iron	ASTM A126, Class B
2	Slide	Cast Iron	ASTM A126, Class B
3	Head Bar	Steel, Galvanized	ASTM A36
4	Wedge	Cast Iron	ASTM A126, Class B
5	Wedge Bolts/Nuts	Steel, Plated	ASTM A307, A164
6	Stem	Steel	ASTM A108, Grade 1045
7	Side Angles	Steel, Galvanized	ASTM A36
8	Stem Support	Steel, Galvanized	ASTM A36
9	Headbar Bolts/Nuts	Steel, Plated	ASTM A307, A164
10	Handwheel	Cast Iron	ASTM A126, Class B
11	Handwheel Set Screw	Steel, Plated	ASTM A307, A164
12	Keeper	Cast Iron	ASTM A126, Class B
13	Keeper Bolts/Nuts	Steel, Plated	ASTM A307, A164
14	Lift Nut	Brass	ASTM B16
15	Stem Bolt/Nut	Plated	ASTM A307, A164



Applications

The Series 6600 Slide Gate is designed for use in canals and ditches, on corrugated pipe, flood control systems, oil refineries, fish hatcheries and various low head industrial water control applications where pressure is in seating direction only.

SPECIFICATIONS



Pressure Rating

Gate Size:

6"-24"	23 ft.
30"-36"	11 ft.
42"-48"	9 ft.
54"-60"	6 ft.

Installation

The Series 6600 Slide Gate is normally installed on corrugated steel pipe or bolted to a concrete head wall. When attaching to corrugated pipe, you may either bolt directly to the spigot back seat, or use a rod and harness assembly.

Options

- Frame angles available painted, galvanized or Stainless Steel.
- Cast Iron or Bronze seating faces.
- Stainless Steel stem and fasteners.
- Flat back for headwall or flange mounting.
- Spigot back for mounting to corrugated pipe.
- Square bottom slide.
- Rising stem and non-projecting stem extensions.
- Tapered setting collars for concrete pipe installations.

Dimensional Information

Gate Size (Inches)	Dimensions (Inches)										Anchor Bolt Data			Lift Data		
	A	B	C	D	E	F	G	H	J	K	Qty.	Size	Qty.	Lift Type	H/Wheel Dia.	Stem Dia.
6	9.3	4.0	15.50	2.88	3.88	2.25	6.75	1.50	4.00	2.50	4.0	1/2 x 12	4.00	H1	10.0	7/8
8	11.3	5.0	18.00	2.88	3.88	2.25	8.75	1.50	5.00	4.00	4.0	1/2 x 12	4.00	H1	10.0	7/8
10	13.3	6.0	21.00	2.88	3.88	2.25	10.75	1.50	6.00	4.00	4.0	1/2 x 12	4.00	H1	10.0	7/8
12	15.3	7.3	24.00	2.88	3.88	2.25	13.25	1.50	7.00	4.00	4.0	1/2 x 12	4.00	H1	10.0	7/8
14	17.3	8.3	27.25	2.88	3.88	2.25	15.25	1.50	8.00	4.00	4.0	1/2 x 12	4.00	H1	10.0	7/8
15	18.3	8.8	28.50	2.88	3.88	2.25	16.25	1.50	8.50	4.00	4.0	1/2 x 12	4.00	H1	10.0	7/8
16	19.3	9.3	30.00	2.88	3.88	2.25	17.25	1.50	9.00	4.00	4.0	1/2 x 12	4.00	H1	10.0	7/8
18	23.0	10.6	33.25	2.88	4.88	2.88	19.25	1.50	10.50	7.00	4.0	5/8 x 12	4.50	H1	14.0	1-1/8
20	25.0	11.6	36.75	2.88	4.88	2.88	21.25	1.50	11.50	7.00	4.0	5/8 x 12	4.50	H1	14.0	1-1/8
21	26.0	12.1	37.25	2.88	4.88	2.88	22.25	1.50	12.00	7.00	4.0	5/8 x 12	4.50	H1	14.0	1-1/8
24	29.0	13.6	42.25	2.88	4.88	2.88	25.25	1.50	13.50	7.00	4.0	5/8 x 12	4.50	H1	14.0	1-1/8
30	35.9	17.1	51.50	2.88	5.88	3.75	31.25	2.00	16.88	12.00	4.0	3/4 x 12	5.25	H1	14.0	1-1/8
36	41.9	20.1	60.50	3.50	6.50	3.75	37.25	2.00	19.88	12.00	4.0	3/4 x 12	5.25	H2	24.0	1-1/2
42	47.9	23.1	69.50	3.50	6.88	4.12	43.38	2.00	22.88	16.00	6.0	3/4 x 12	5.50	H2	24.0	1-1/2
48	53.9	26.1	78.50	6.12	6.88	4.12	49.38	2.00	25.88	16.00	6.0	3/4 x 12	5.50	H2B	24.0	1-1/2
54	61.3	29.3	87.75	6.12	7.75	4.62	55.38	2.00	29.25	18.00	6.0	1 x 12	5.50	H2B	30.0	2.00
60	66.0	32.3	97.25	6.12	9.00	5.12	61.38	2.00	32.50	20.00	6.0	1 x 12	5.50	H2B	30.0	2.00



Fresno Valves & Castings, Inc.
 7736 East Springfield Avenue
 P.O. Box 40, Selma, CA 93662, U.S.A.
 (800) 333-1658
 www.fresnovalves.com