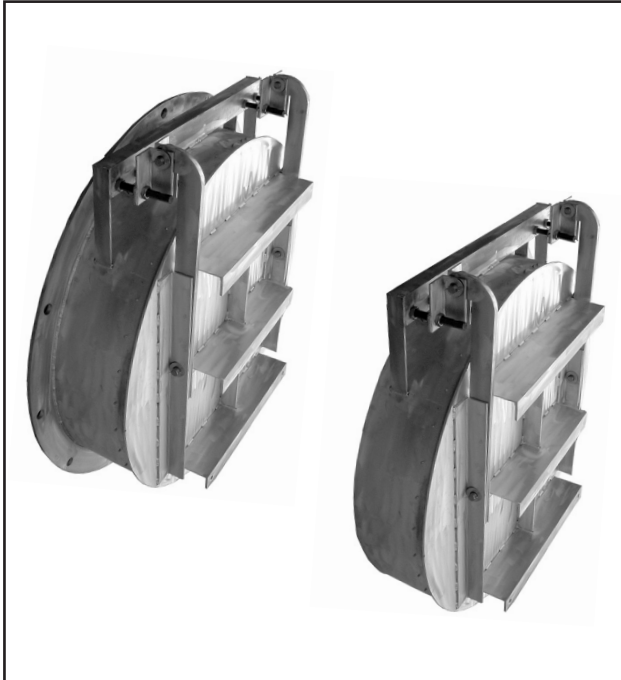


SERIES 5900 DRAINAGE (FLAP) (TIDE) GATE



Features

- Seating heads to 30 feet.
- Flatback for mounting to headwall, or flangeback to mate with wall thimble.
- Spigotback for mounting to pipe (CMP, PVC, HDPE)
- Lighter weight reduces installation costs.
- J-bulb neoprene adjustable seats provide excellent sealing against return flow.

Recommended Maximum

Seating Heads:

8" – 30"	30 ft.
36" - 42"	20 ft.
48" - 60"	15 ft.
66" - 84"	10 ft.

General

The flap gate shall be designed to allow free outflow and prevent backflow for maximum seating heads of 30 feet. Gates shall be Fresno Valves & Castings, Inc. Series 5900 or equal.

Construction

The frame shall be aluminum or stainless steel of flatback, spigotback or flangeback design (or other specified design configuration as required) with seating surface inclined from vertical at a minimum of 2½° to assure positive closure. The cover shall be attached to the frame in such a manner as to allow proper seating and full opening of cover. Built in stops shall be provided to prevent the cover from rotating sufficiently to become wedged in the open position. A resilient neoprene seal shall be attached to the inside of the frame opening and shall act as a seat for the cover to seal against.

The linkage system shall be of the double pivoted type, attached to fixed pivot points on cover and frame. Hinge links shall be of structural shapes. The heavily reinforced hinge arm of the Series 5900 is fastened to the pivot lug by means of heavy stainless steel hinge pins inserted through a durable non-metallic bushing. The hinge pin is arranged in a double shear configuration at extremely close tolerances thus severely limiting lateral movement.

Finish

Mill finish on all surfaces.

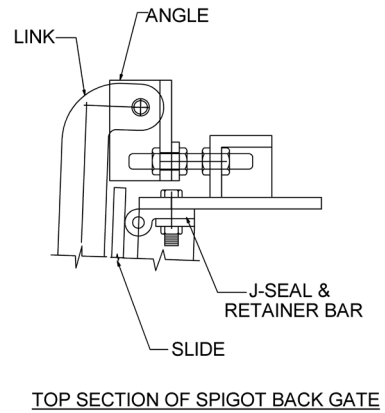
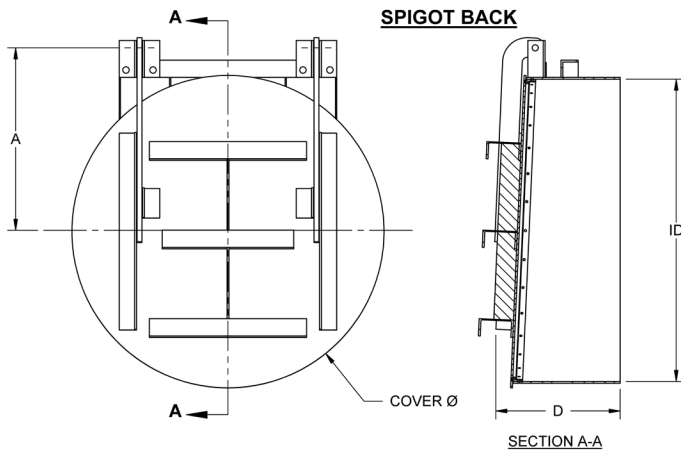
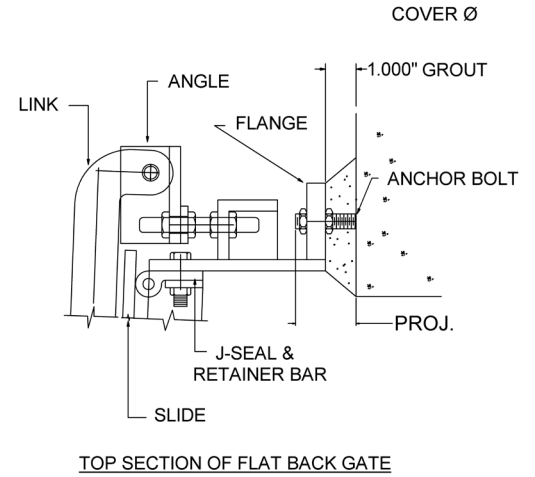
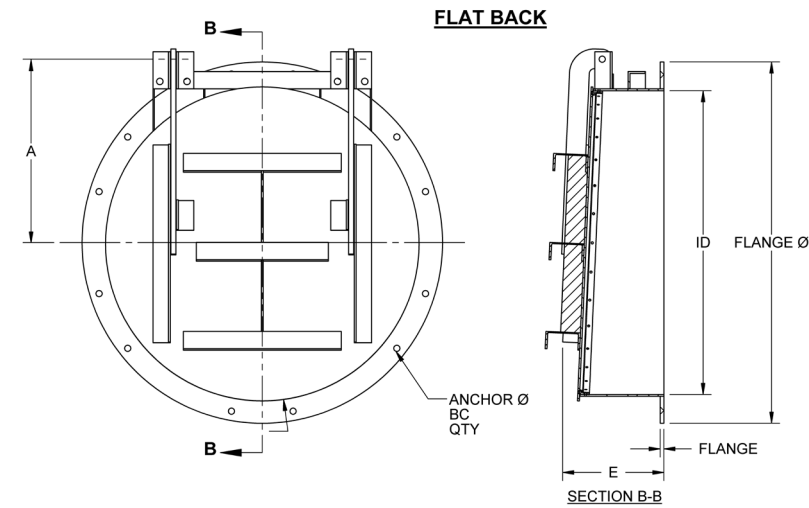
Applications

The Series 5900 Drainage (Flap) (Tide) Gates are a corrosion-resistant, rustproof, automatic drainage gate designed for use where light weight, corrosion resistance or tight sealing is foremost.

Material Specifications

Item	Description	Material	Specification
1	Frame	Aluminum or Stainless Steel	Aluminum Alloy 6061-T6 ASTM A-276, Type 304 or 316
2	Cover	Aluminum or Stainless Steel	Aluminum Alloy 6061-T6 ASTM A-276, Type 304 or 316
3	Hinge Link	Aluminum or Stainless Steel	Aluminum Alloy 6061-T6 ASTM A-276, Type 304 or 316
4	Assembly Hardware	Stainless Steel	Type 18-8

SPECIFICATIONS



Dimensional Information

Size (inches)	Dimensions (Inches) ----- ANCHORS -----										
	A	Cover Ø	ID	D	E	Flange	Flange Ø	Anchor Ø	Proj.	BC	Qty.
12	10.25	14.50	13.125	8.750	8.875	0.500	19.00	0.500	2.75	17.000	4
15	11.75	17.50	16.125	8.750	8.875	0.500	22.00	0.500	2.75	20.000	4
18	13.25	20.50	19.125	8.750	8.875	0.500	25.00	0.500	2.75	22.750	4
21	14.75	23.50	22.125	8.750	8.875	0.625	26.50	0.500	3.00	25.125	4
24	16.25	26.50	25.125	8.750	8.875	0.625	32.00	0.500	3.00	29.500	4
30	20.25	32.50	31.125	10.250	10.375	0.625	38.75	0.625	3.00	36.000	6
36	23.25	38.50	37.125	10.500	10.625	0.625	46.00	0.625	3.00	42.750	6
42	27.25	44.50	43.125	13.000	13.125	0.625	53.00	0.625	3.00	49.500	6
48	29.25	50.50	49.125	13.625	13.750	0.625	59.50	0.750	3.50	56.000	8
54	34.00	56.50	55.125	14.250	14.375	0.750	66.25	0.750	3.50	62.750	8
60	36.25	62.50	61.125	15.375	15.500	0.750	73.00	1.000	3.50	69.250	12
72	44.50	74.50	73.125	17.250	17.375	0.750	86.50	1.000	3.50	82.500	12



Fresno Valves & Castings, Inc.
 7736 East Springfield Avenue
 P.O. Box 40, Selma, CA 93662, U.S.A.
 (800) 333-1658
 www.fresnovalves.com