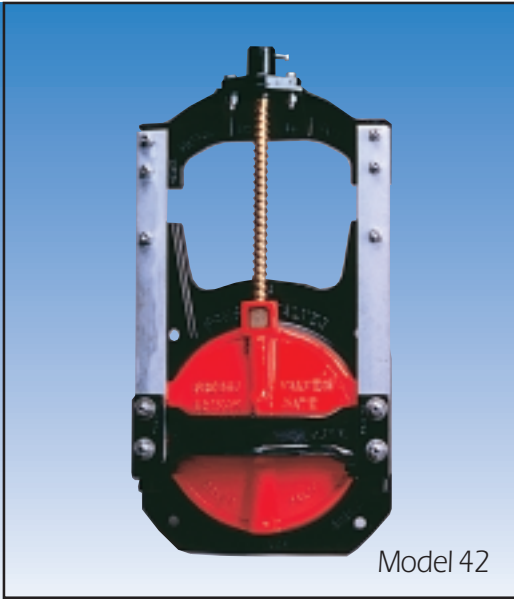


SERIES 4200 TYPE W PRESSURE GATE

TECHNICAL DATA SHEET



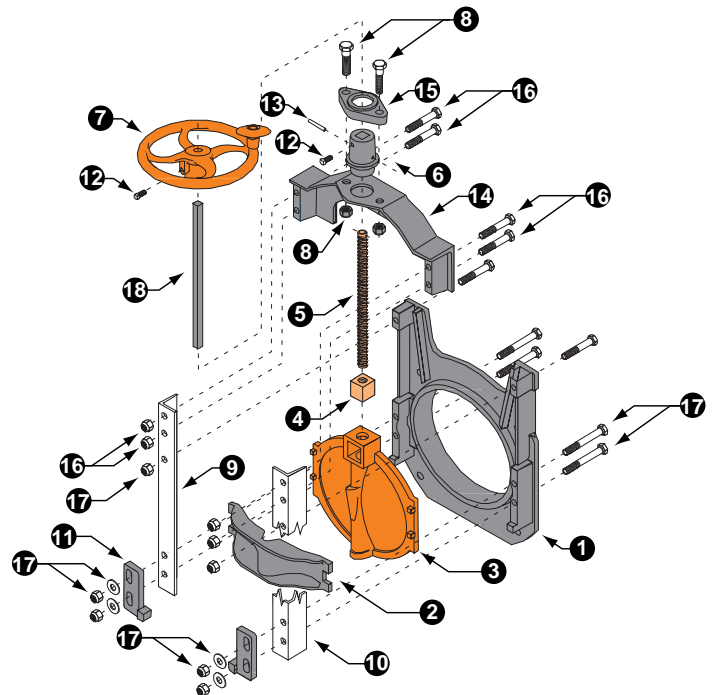
Series 4200 Type W Pressure Gate

Features

- Rugged Cast Iron frame for long life.
- Precision ground seats for watertight operation.
- Single center wedge design distributes uniform pressure at the seating surface.
- Convex slide for greater strength.
- Bronze stem provides smooth operation and corrosion resistance.
- Holds pressure in both flow directions.

Material Specifications

Item	Description	Material	Specification
1	Frame	Cast Iron	ASTM A126, Class B
2	Bar	Cast Iron	ASTM A126, Class B
3	Slide	Cast Iron	ASTM A126, Class B
4	Lift Nut	Brass	ASTM B584, C93200
5	Screw	Brass	ASTM B584, C93200
6	Screwhead	Cast Iron	ASTM A126, Class B
7	Handwheel w/Knob	Cast Iron	ASTM A126, Class B
8	Collar Bolts/Nuts	Steel, plated	ASTM A307, A164
9	Side Angle, Left	Steel, galvanized	ASTM A36
10	Side Angle, Right	Steel, galvanized	ASTM A36
11	Stop	Cast Iron	ASTM A126, Class B
12	Set Screw	Steel, plated	ASTM A307, A164
13	Roll Pin	Steel, plated	ASTM A307, A164
14	Headbar	Cast Iron	ASTM A126, Class B
15	Collar	Cast Iron	ASTM A126, Class B
16	Headbar, Bolts/Nuts	Steel, plated	ASTM A307, A164
17	Frame, Bolts/Nuts	Steel, plated	ASTM A307, A164
18	Handle Extension	Steel, Carbon	ASTM A307, A164

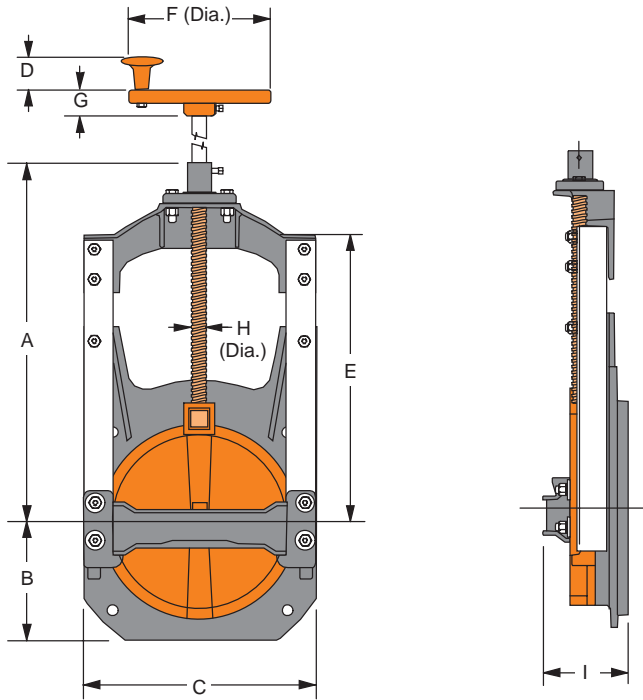


Applications

The Series 4200 Pressure Gates are designed for use in canals, flood control systems, pipeline distribution, waste water systems, oil refineries and various industrial water control applications.

SPECIFICATIONS

SERIES 4200 PRESSURE GATE



Recommended Operating Range

Maximum seating head 60 ft. (26 psi)
 Maximum unseating head 10 ft. (4.5 psi)

Installation

Series 4200 Pressure Gates are normally mounted on head walls or in pipe stands, using steel anchor bolts and grout. Flange back models may also be installed on pipe flanges.

Options

- Bronze seating surfaces.
- Rising Stem.
- Stem Extensions.
- Tapered setting collar for concrete installations.
- Special coatings.
- Stainless Steel frame & fasteners.

Dimensional Information

Valve Size (Inches)	Weight (lbs.)	Dimensions (Inches)								
		A	B	C	D	E	F	G	H	I
6	30.0	15.13	4.25	9.13	2.25	11.50	7.75	1.69	0.88	4.31
8	40.0	18.00	6.13	11.38	2.25	14.00	7.75	1.69	0.88	4.40
10	56.0	21.50	6.88	13.38	2.25	16.50	7.75	1.69	0.88	4.45
12	104.0	24.19	8.00	16.00	2.25	19.75	9.88	1.69	1.00	5.75
14	107.0	26.31	9.44	18.94	2.25	20.50	9.88	1.69	1.00	6.38
16	131.0	29.75	10.38	20.75	2.25	23.31	9.88	1.69	1.00	6.62
18	158.0	33.31	10.94	23.88	2.25	26.25	9.88	1.69	1.00	6.75
20	249.0	40.00	12.00	26.25	2.25	28.25	15.88	2.25	1.25	8.75
24	380.0	45.00	14.25	29.50	2.25	34.50	15.88	2.25	1.25	9.75



Fresno Valves & Castings, Inc.

7736 East Springfield Avenue
 P.O. Box 40, Selma, CA 93662, U.S.A.

(800) 333-1658

www.fresnovalves.com