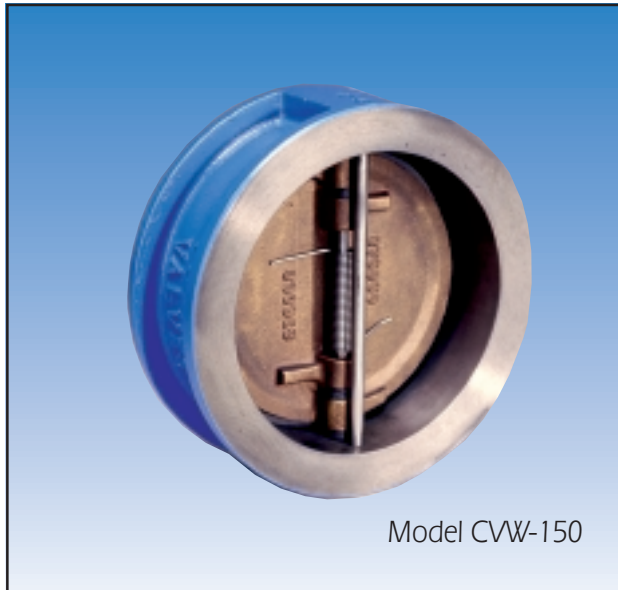


SERIES 3700 WAFER CHECK VALVE

TECHNICAL DATA SHEET



Model CVW-150

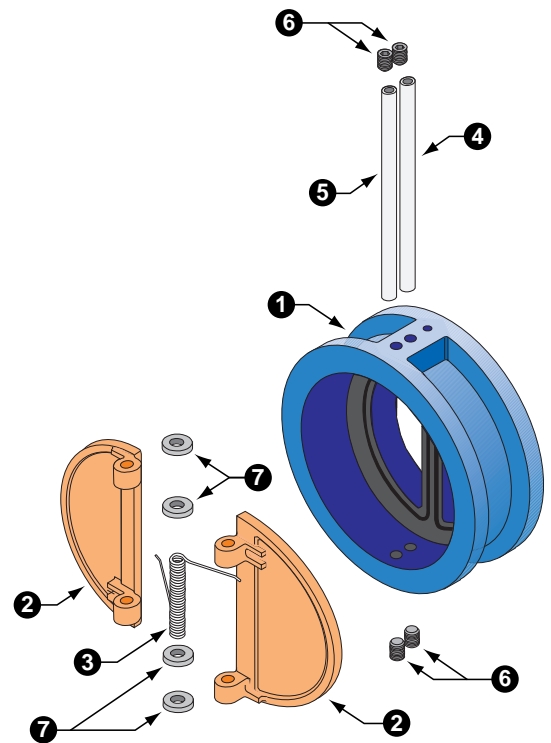
Series 3700 Wafer Check Valve

Features

- Low head loss.
- Flow responsive closure.
- Compact design is easily installed.
- Resilient seat provides positive seal.
- Stainless Steel shaft and bronze disc offer strength and corrosion resistance.
- Reliable performance.

Material Specifications

Item	Description	Material	Specification
1	Body	Cast Iron	ASTM A126, Class B
2	Disc	Aluminum Bronze	ASTM B148
3	Spring	Stainless Steel	ASTM A313, Type 316
4	Hinge Pin, Disc	Stainless Steel	ASTM A276
5	Stop Pin, Disc	Stainless Steel	ASTM A276
6	Retainer, Screw	Stainless Steel	ASTM A276, Type 304
7	Bushing	Nylatron	Molybdenum Disulfide Filled Nylon

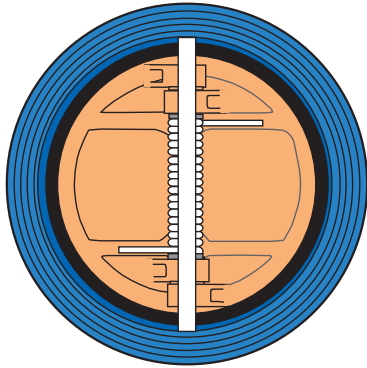


Applications

The Series 3700 Wafer Check Valve is designed for simple flange support installations between standard flanges in a horizontal or a vertical flow position. For horizontal flow applications, the valve must be installed with the disc hinge pin in the vertical position to insure proper operation. This Check Valve also provides effective backflow prevention.

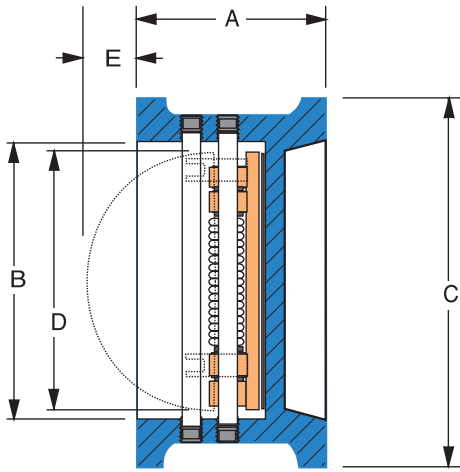
SPECIFICATIONS

SERIES 3700 WAFER CHECK VALVE

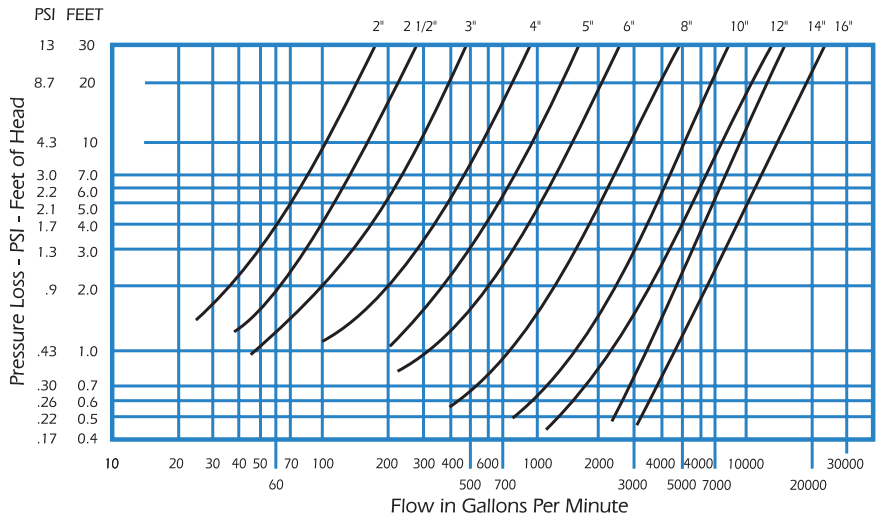


Temperature/Pressure Rating

Maximum Pressure 150 psi
 Maximum Temperature 175° F (80C)
 Flange Standard ANSI 150 Lbs.



Head Loss Chart
Series 848



Dimensional Information

Valve Size	Dimensions (Inches)					Weight (Lbs.)	Mounting Bolt Selection		
	A	B	C	D	E		Quantity	Diameter	Length
2	2.13	2.50	4.00	1.31	0.19	5.0	4	0.63	5.0
2.5	2.13	3.00	4.75	2.31	0.31	7.0	4	0.63	5.0
3	2.25	3.62	5.25	2.87	0.50	9.0	4	0.63	5.50
4	2.50	4.50	6.25	3.87	1.00	12.0	8	0.63	6.0
5	2.75	5.62	7.62	4.81	1.35	17.0	8	0.75	6.50
6	3.00	6.75	8.62	5.75	1.85	21.0	8	0.75	7.0
8	3.75	8.75	10.87	7.62	2.25	45.0	8	0.75	8.0
10	4.50	10.87	13.25	9.56	3.45	65.0	12	0.88	9.0
12	5.69	12.87	16.73	11.75	3.05	125.0	12	0.88	10.75
14	7.00	14.60	17.56	13.91	3.28	162	12	1.00	12.50
16	7.12	16.75	19.87	16.12	4.31	190	16	1.00	13.0



Fresno Valves & Castings, Inc.
 7736 East Springfield Avenue
 P.O. Box 40, Selma, CA 93662, U.S.A.
(800) 333-1658
www.fresnovalves.com