

SERIES 3500 CONTINUOUS ACTING AIR VENT

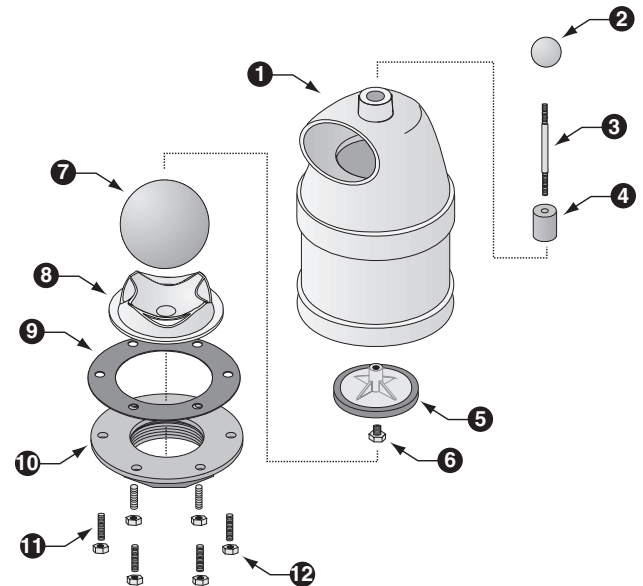


Features

- Exhausts large volumes of trapped air from pipelines.
- Provides continuous air release during system operation.
- Improves energy efficiency as pump power requirements decrease.
- Promotes full line capacity and provides vacuum protection.
- Standard NPT pipe threads for ease of installation.

Material Specifications

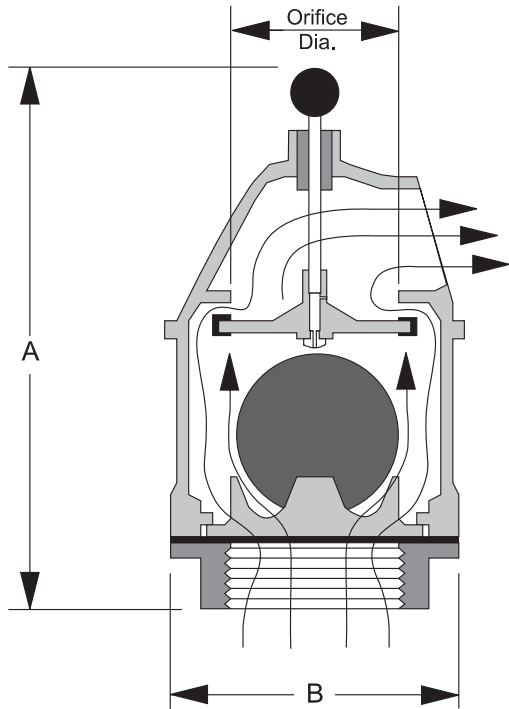
Item	Description	Material	Specification
1	Body	Cast Aluminum	ASTM B26, Alloy SC64D
2	Ball	Plastic	N/A
3	Guide Rod	Stainless Steel	ASTM A276, Type 304
4	Bushing	Nylatron	Molybdenum Disulfide filled Nylon
5	Seal Disc	Neoprene	D2000, Grade 1BE625
6	Orifice Fitting	Stainless Steel	ASTM A276, Type 304
7	Ball	Neoprene	D2000, Grade 1BE625
8	Baffle	Cast Aluminum	ASTM B26, Alloy SC64D
9	Gasket	Rubber	ASTM D2000
10	Base	Cast Iron	ASTM A126, Class B
11	Stud	Stainless Steel	ASTM A276, Type 304
12	Hex Nut	Stainless Steel	ASTM A276, Type 304



Application

The Series 3500 Continuous Acting Air & Vacuum Relief Valve is designed for use near pumps or intakes, on pressure boxes and near Check Valves. Series 3500 Valves can also be used at all high points in the line, and at the ends of the line, to exhaust air that collects in the line and provide vacuum protection.

SPECIFICATIONS



Pressure Rating

Designed for the following max. working pressures:

2"	150 psi
3"	125 psi
4"	100 psi

Installation

The Series 3500 Air Vent is normally installed by threading onto NPT (National Pipe Thread) steel or plastic pipe.

Options

- The Series 3500 Air Vent is also available in BSTP (British Standard Pipe Thread) models.

Dimensional Information

Vent Size (inches)	Weight (lbs.)	Dimensions (Inches)		
		Orifice Diameter	A	B
2	11.0	3.30	9.18	6.45
3	13.0	3.30	9.18	6.45
4	16.5	4.00	13.50	7.40



Valves & Castings, Inc.

Specifications subject to change without notice.

Fresno Valves & Castings, Inc.
 7736 East Springfield Avenue
 P.O. Box 40, Selma, CA 93662, U.S.A.
 (800) 333-1658
 www.fresnovalves.com

Rev. 12/17