

## SERIES 3300 DAIRY VALVE



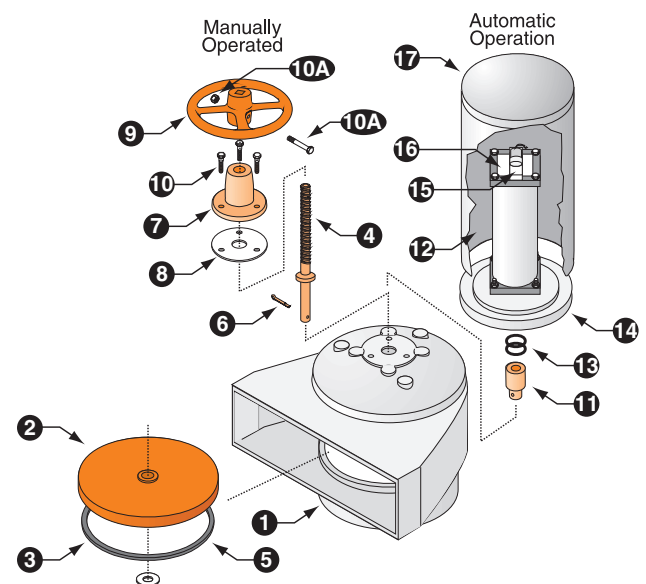
### Features

- Rugged Aluminum body provides exceptional corrosion resistance. Floor Mount model is all stainless steel construction.
- Standard handwheel operator on manual model.
- Rectangular outlet design and aluminum grate provide directional flushing.
- Brass screw with acme thread for smooth, fast opening and closing on manual model.
- Spigot type base design for easy attachment to plastic pipe.
- Resilient seat assures water-tight closure.
- Brass & Stainless components provide lasting protection from corrosion.
- Below-grade design of floor mount model allows for unobstructed traffic.
- Floor mount model has pneumatic airbag actuator.

### Material Specifications

Item	Description	Material	Specification
1	Body	Aluminum	ASTM B26-65, Alloy C564D
2	Cover	Cast Iron	ASTM A126, Class B
3	Cover Gasket	SBR	ASTM D2000
4	Screw	Brass	ASTM B16
5	Washer	Brass	ASTM B19, Alloy 260
6	Cotter Pin	Brass	ASTM B16
7	Lift Nut	Brass	ASTM B584, Alloy 844
8	Gasket	Neoprene	N/A
9	Handwheel	Cast Aluminum	ASTM B-26-65, Alloy C564D
10	Lift Nut Fasteners	Stainless Steel	ASTM A276, Type 304
10a	Handwheel Nut & Bolt	Steel Plated	ASTM A307 A164
11*	Cylinder Rod Adaptor	Brass	ASTM B16
12*	Air Cylinder	Plastic	N/A
13*	O-Rings	Buna-N	ASTM D2000
14*	Cylinder Adaptor	Aluminum	ASTM B26-65, Alloy C564D
15*	Solenoid Valve	Various	N/A
16*	Solenoid Plate	Aluminum	ASTM B209
17*	Cylinder Cover	Aluminum	ASTM B26-65, Alloy C564D

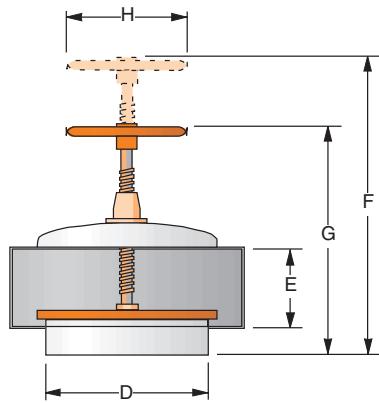
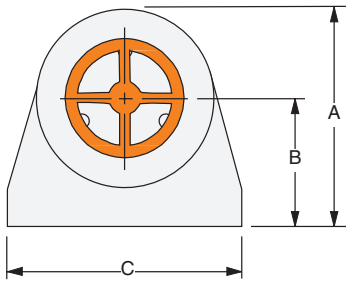
\* Model 33B Only



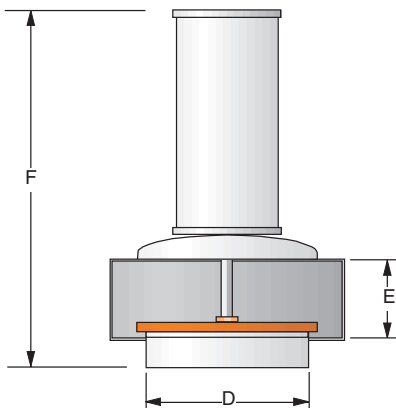
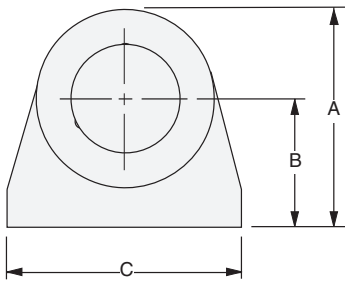
### Applications

The Series 3300 Dairy Valves are designed for flushing concrete slabs and alleys in dairies or other livestock facilities with large volumes of water at low pressure for cleaning purposes.

# SPECIFICATIONS



**Manual**



**Automatic**

## Pressure Rating

Dairy Valve .....35 ft. (15 psi) max. water pressure  
 Air Cylinder .....200 psi max. air pressure  
 Air Bag .....100 psi max. air pressure  
 (Minimum recommended air pressure to the cylinder is 10 times the maximum design water pressure and not less than 80 psi.)

## Installation

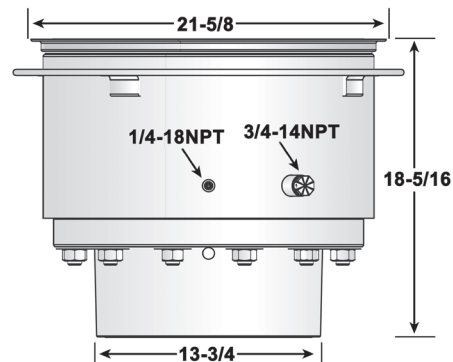
Series 3300 Dairy Valves are designed for use with 100 ft. head plastic irrigation pipe (PIP). The outside of the valve spigot is epoxied to the inside of the plastic pipe. Draw bands may be used to provide additional strength at the joint. The floor mount model is mounted in concrete and attached to the air connections.

## Models Available

- Model 33A - 12" Manually operated handwheel
  - Model 33B - Air cylinder actuated\*\*
  - Model 33C - Pneumatic operated floor mount
- \*\*Solenoid voltage - 24 VAC, 60 Hz.  
 (Optional voltage - 120 VAC, 50/60 Hz.)

## Options

- Air operated.
- Pipe risers and adaptors for various types of plastic pipe.
- Factory installed risers and adaptors.



**Floor Mount**



Fresno Valves & Castings, Inc.  
 Specifications subject to change without notice.

Fresno Valves & Castings, Inc.  
 7736 East Springfield Avenue  
 P.O. Box 40, Selma, CA 93662, U.S.A.  
 (800) 333-1658  
 www.fresnovalves.com