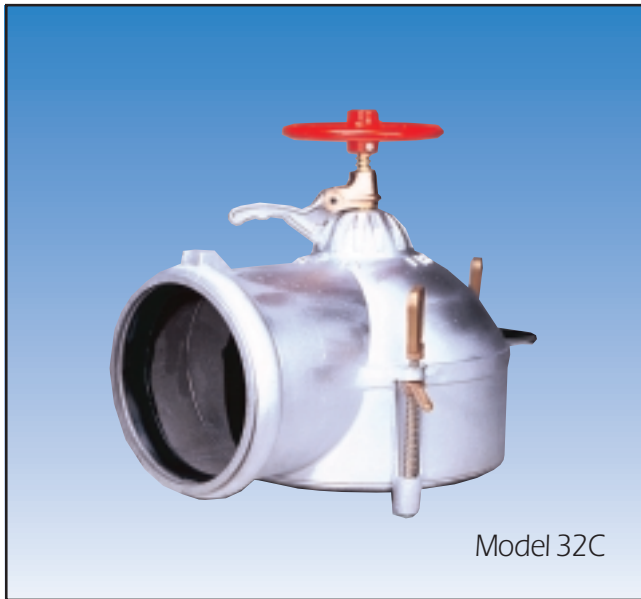


SERIES 3200 UNIVERSAL PORTABLE HYDRANT

TECHNICAL DATA SHEET



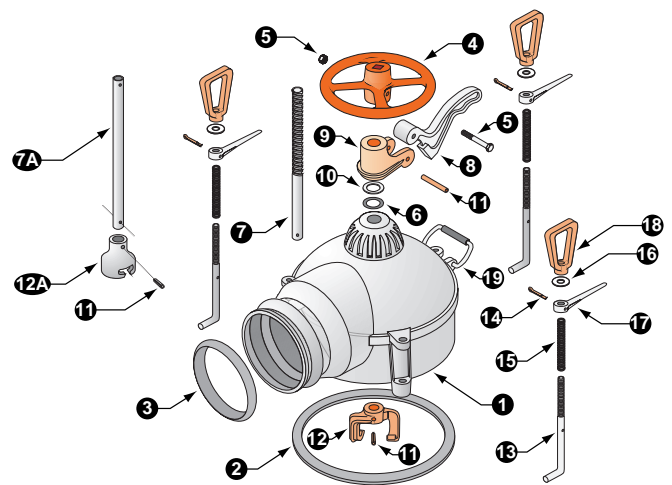
Series 3200 Universal Portable Hydrant

Features

- Specially designed to fit all major brand Alfalfa Valves.
- Cast Aluminum body combines lightweight strength and corrosion resistance.
- Outlet couplings utilize standard round back (Pierce) type gaskets.
- Rugged acme thread brass stem for fast opening and closing (C/T & Combination models).
- Base gasket designed to provide positive sure seal mounting.

Material Specifications

Item	Description	Material	Specification
1	Body	Cast aluminum	ASTM B26-65, Alloy SG64D
2	Bottom gasket	Neoprene	D2000, Grade 1BE625
3	Coupler gasket	Neoprene	D2000, Grade 1BE625
4	Handwheel	Cast aluminum	ASTM B26-65, Alloy SG64D
5	Handwheel bolt & nut	Steel, plated	ASTM A307, A164
6	O-Ring	Neoprene	D2000, Grade 1BE625
7	Stem (C/T)	Brass	ASTM B16
7A	Stem (S/C)	Aluminum	ASTM B211
8	Clamp handle	Cast aluminum	ASTM B26-65, Alloy SG64D
9	Clamp nut	Brass	ASTM B584, Alloy 844
10	Washer	Brass	ASTM B16
11	Curl pin	Steel, plated	ASTM A307, A164
12	C/T wrench head	Brass	ASTM B584, Alloy 844
12A	S/C wrench head	Cast aluminum	ASTM B26-65, Alloy SG64D
13	J-bolts	Stainless steel	ASTM A276, Type 304
14	Cotter pins	Brass	ASTM B16
15	Springs	Stainless steel	ASTM A276, Type 304
16	Washers	Brass	ASTM B16
17	J-bolt handles	Brass	ASTM B584, Alloy 844
18	Stirrup nut	Brass	ASTM B584, Alloy 844
19	Handle	Aluminum	ASTM B211

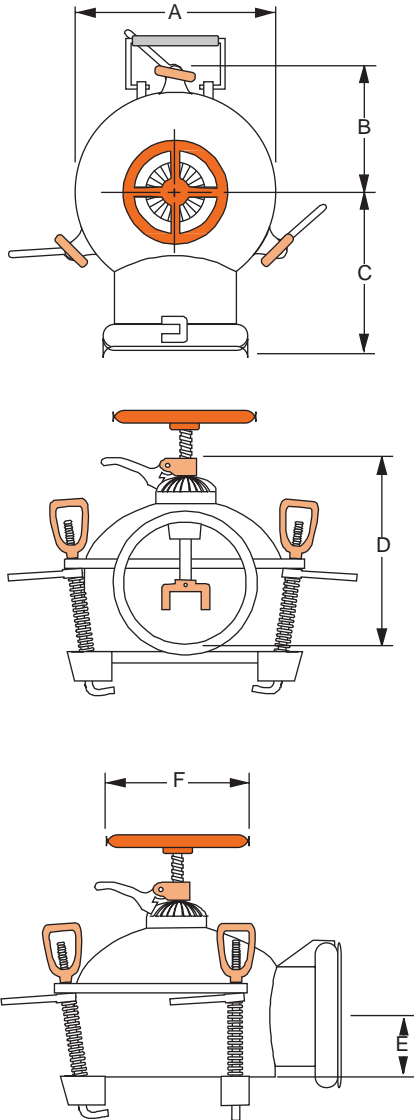


Applications

The Series 3200 Universal Portable Hydrant is designed to be used with all major brand Alfalfa Valves. The hydrant allows the user to distribute water from underground pipelines through various risers to surface pipelines while the underground pipelines remain pressurized. Fresno hydrants can be installed quickly by means of a clamping mechanism allowing them to be moved from one riser to another without depressurizing the mainline.

SPECIFICATIONS

SERIES 3200 UNIVERSAL PORTABLE HYDRANT



Installation

The Fresno Universal Portable Hydrant is designed to be installed by means of a clamping mechanism to an Alfalfa Valve. The Center Tension (C/T) model clamps onto the Alfalfa Valve operating stem through a high strength brass center shaft assembly. Clamping pressure is adjusted with the clamp handle/nut mechanism located below the handwheel. The Side Clamp (S/C) model utilizes adjustable "J" bolt clamps located around the perimeter of the hydrant body. The "J" bolt attaches to the Alfalfa Valve frame skirt and the stirrup nut is adjusted to provide clamping pressure. The Combination model utilizes both Center Tension and Side Clamp mechanisms to provide maximum clamping force.

Options

- Available with Center Tension (C/T), Side Clamp (S/C) or Combination style mounting.
- Single or double outlet models available.

Models Available

Model No.	Description
32A	Single outlet - Side Clamp
32B	Single outlet - Center Tension
32C	Single outlet - Combination
32D	Double outlet - Side Clamp
32E	Double outlet - Center Tension
32F	Double outlet - Combination

Dimensional Information

Hydrant Size (Inches)	Weight (lbs.)	Available Outlet Sizes (Inches)	Dimensions (Inches)					
			A	B	C	D	E	F
6	25.0	4, 5, 6	11.00	7.00	10.00	14.00	6.20	8.75
8	30.0	4, 5, 6, 8	13.75	8.50	10.75	14.25	4.94	8.75
10	32.0	6, 8, 10	15.88	9.25	13.38	16.00	6.00	8.75
12	42.0	6, 8, 10, 12	18.00	10.50	13.88	15.50	6.00	8.75
14	53.0	8, 10, 12, 15	19.75	9.88	17.88	23.00	8.75	8.75
16	65.0	10, 12, 15	22.00	11.00	19.00	25.25	9.50	8.75
18	72.0	12, 15, 18	24.00	12.00	20.00	27.25	10.50	8.75



Fresno Valves & Castings, Inc.

7736 East Springfield Avenue
P.O. Box 40, Selma, CA 93662, U.S.A.

(800) 333-1658

www.fresnovalves.com