

SERIES 3000 AIR VENT & VACUUM RELIEF VALVE

TECHNICAL DATA SHEET



Model 3000

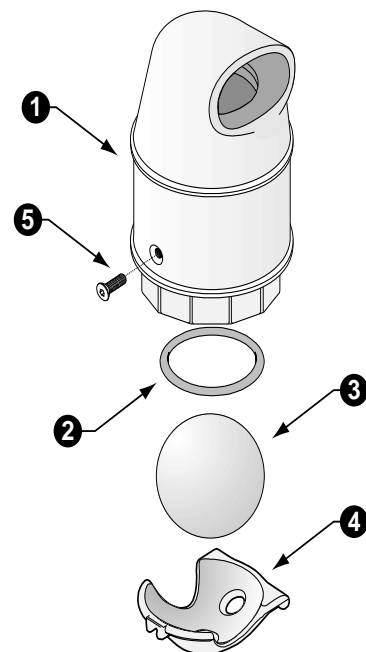
Series 3000 Air Vent & Vacuum Relief Valve

Features

- Simple design ensures economical trouble-free performance.
- Cast Aluminum body combines lightweight strength and corrosion resistance.
- Synthetic rubber seal assures positive seal even with low head applications.
- Large orifice engineered to provide maximum air flow.
- Ideal for gravity or pressure systems.
- Improves system efficiency by relieving trapped air from pipelines.

Material Specifications

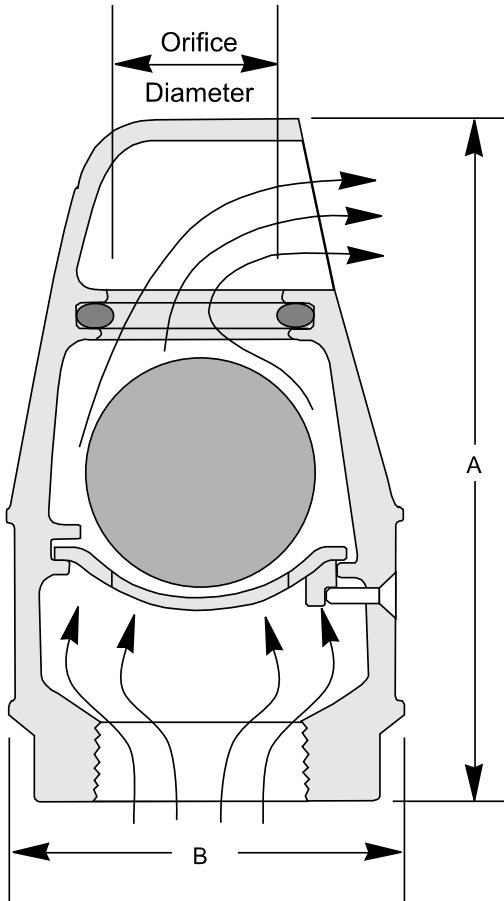
Item	Description	Material	Specification
1	Body	Cast Aluminum	ASTM B26-65, Alloy SC64D
2	O-Ring	Buna-N	ASTM D2000
3	Ball	Polypropylene	N/A
4	Ball Retainer	Cast Aluminum	ASTM B26-65, Alloy SG64D
5	Retaining Screw	Stainless Steel	ASTM F593, Type 304, Alloy 2



Application

The Series 3000 Air & Vacuum Relief Valve is designed for use in pressure or gravity water control systems to allow air to escape during pipeline filling and to prevent vacuum locks while the pipeline empties.

SERIES 3000 AIR VENT & VACUUM RELIEF VALVE



Pressure Rating

Maximum recommended working pressures:

2"	150 psi
3"	125 psi
4"	100 psi

Installation

The Series 3000 Air & Vacuum Relief Valve is normally installed by threading onto NPT (National Pipe Thread) steel or plastic pipe risers.

Options

- Available in BSPT (British Standard Pipe Thread) models.

Dimensional Information

Vent Size (Inches)	Weight (lbs)	Dimensions (Inches)		
		Orifice Diameter	A	B
2	1.75	1.75	6.00	3.72
3	5.00	2.50	7.25	4.75
4	7.00	3.50	9.50	6.25