

SERIES 2900 TYPE S ALFALFA VALVE

TECHNICAL DATA SHEET



Model 29A

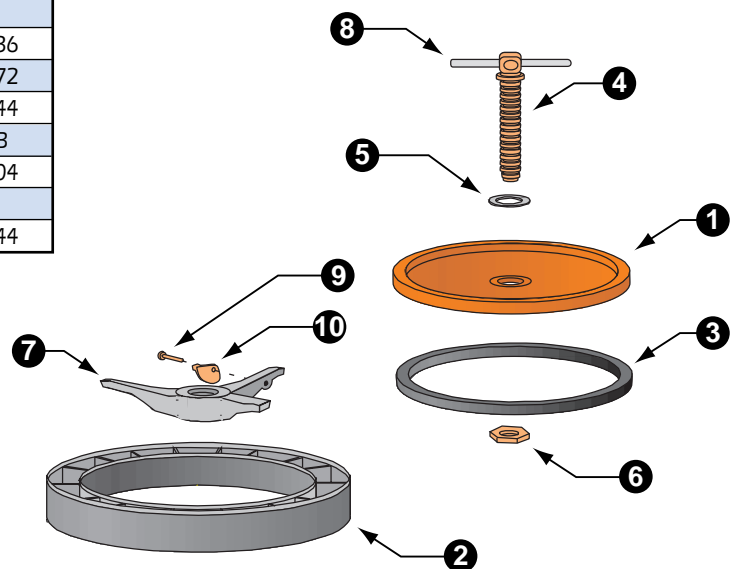
Series 2900 Type S Alfalfa Valve

Features

- Removable arch provides easy access to riser.
- Bronze screw is corrosion resistant and easy to operate.
- Acme thread for fast opening and closing.
- Cast in place bronze bushing won't pull out.
- Heavy-duty Cast Iron frame and cover for lasting performance.
- Noncorroding brass pin allows easy removal of arch (spider).
- Specially designed for interchangeability with Snow (Ideal) Alfalfa Valves.

Material Specifications

Item	Description	Material	Specification
1	Cover (Lid)	Cast Iron	ASTM A126, Class B
2	Frame	Cast Iron	ASTM A126, Class B
3	Gasket	SBR	ASTM D2000
4	Screw	Brass	ASTM B584, Alloy 836
5	Washer	Copper	ASTM B194, Alloy 172
6	Nut	Brass	ASTM B584, Alloy 844
7	Arch (Spider)	Cast Iron	ASTM A126, Class B
8	Cross Pin	Stainless Steel	ASTM A276, Type 304
9	Latch Pin	Brass	ASTM B16
10	Latch	Brass	ASTM B584, Alloy 844

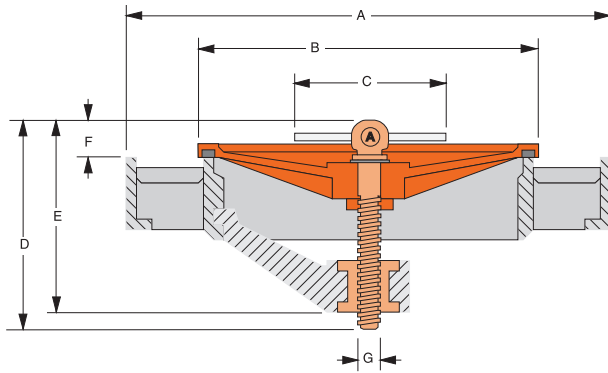


Applications

The Series 2900 Type S Alfalfa Valve is an overflow type valve for use in surface irrigation to provide shut-off and regulation of flow from underground pipelines to irrigation furrows or checks. Alfalfa Valves are also for use with portable hydrants and gated pipe in row crop irrigation.

SPECIFICATIONS

SERIES 2900 TYPE S ALFALFA VALVE



Model 29A
Removable Arch
(for Concrete Pipe)

Pressure Rating

Valve sizes:

10" – 12"	50 ft. (22 psi)
14"	25 ft. (11 psi)
20" – 30"	15 ft. (6.5 psi)

Installation

The Series 2900 Valves are designed for use with concrete pipe. Valve frames are normally mortared to the end of the pipe.

Dimensional Information

Valve Size (Inches)	Weight (lbs)	Dimensions (Inches)						
		A	B	C	D	E	F	G
10	27.0	14.06	11.56	7.00	9.25	5.56	1.50	1.12
12	34.0	16.25	13.66	7.00	9.25	5.81	1.50	1.12
14	41.0	18.94	15.69	9.00	12.00	5.69	1.44	1.12
20	143.0	25.38	25.44	9.00	12.00	8.44	4.00	1.12
24	168.0	29.50	25.44	9.00	15.00	6.69	3.25	1.50
30	180.0	38.00	31.44	9.00	18.00	9.94	3.25	2.00



Fresno Valves & Castings, Inc.

7736 East Springfield Avenue
P.O. Box 40, Selma, CA 93662, U.S.A.

(800) 333-1658

www.fresnovalves.com