

## SERIES 2800 TYPE RB & SA ALFALFA VALVE

### TECHNICAL DATA SHEET



Model 28A

Model 28C

#### Series 2800 Type RB & SA Alfalfa Valve

#### Features

- Specially designed for use with FRESNO and other universal hydrants.
- Resilient seal and precision ground seat provide watertight closure.
- Brass screw is easy to operate.
- Acme thread for fast opening and closing.
- Cast-in-place bronze bushing won't pull out.
- Convex cover design provides added strength.

#### Model 28A and 28B

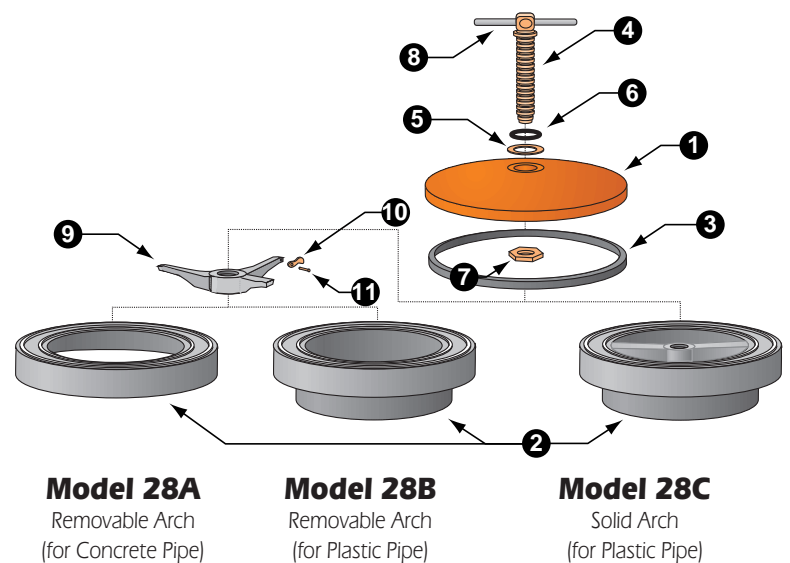
- Removable arch for easy riser access.
- Noncorroding brass latch and pin allow quick release of arch.

#### Model 28C

- Integral cast arch guarantees maximum strength.

#### Material Specifications

Item	Description	Material	Specification
1	Cover (Lid)	Cast Iron	ASTM A126, Class B
2	Frame	Cast Iron	ASTM A126, Class B
3	Gasket	SBR	ASTM D2000
4	Screw	Brass	ASTM B584, C83600
5	Washer	Brass	ASTM B19, Alloy 260
6	O-Ring	Buna-N	ASTM D2000
7	Nut	Brass	ASTM B584, C84400
8	Cross Pin	Stainless Steel	ASTM A276, Type 304
9	Arch (Spider)	Cast Iron	ASTM A126, Class B
10	Latch	Brass	ASTM B584, C93200
11	Latch Pin	Brass	ASTM B16, Alloy 360

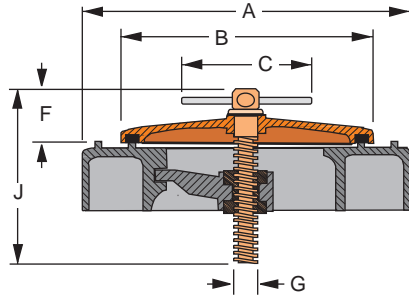


#### Applications

The Series 2800 Alfalfa Valves are designed for use in surface irrigation systems to provide shut-off and regulation of flow from underground pipelines to irrigation furrows or checks. Alfalfa Valves are also for use with portable hydrants and gated pipe in row crop irrigation.

# SPECIFICATIONS

## SERIES 2800 TYPE RB & SA ALFALFA VALVE



**Model 28A**  
Removable Arch  
(for Concrete Pipe)

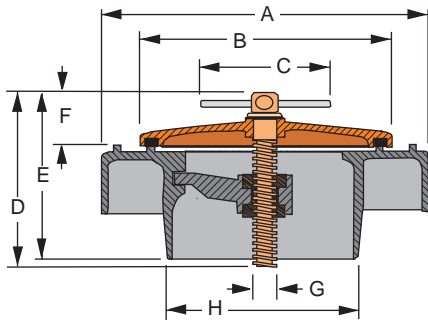
### Pressure Rating

Valve sizes:

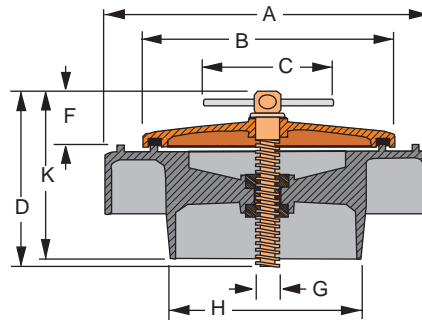
6" – 12" ..... 50 ft. (22 psi)  
14" – 18" ..... 25 ft. (11 psi)

### Installation

The Model 28A Valve is designed for use with concrete pipe. Valve frames are normally mortared to the end of the pipe. The Model 28B and 28C Valves are designed for use with plastic pipe, the outside of the valve frame is joined to the inside of the plastic pipe with epoxy. Draw bands may be used to provide additional strength at the joint.



**Model 28B**  
Removable Arch  
(for Plastic Pipe)



**Model 28C**  
Solid Arch  
(for Plastic Pipe)

### Dimensional Information

Valve Size (Inches)	Model/Weight (lbs)			Dimensions (Inches)									
	28A	28B	28C	A	B	C	D	E	F	G	H	J	K
6	-	-	17.0	9.88	6.98	7.00	7.88	-	2.98	0.88	5.88	-	7.48
8	21.0	25.0	27.0	12.13	9.38	7.00	7.88	7.73	2.98	0.88	7.88	-	7.04
10 x 8	-	-	34.0	14.13	11.06	7.00	9.25	-	3.05	1.00	7.88	-	7.55
10	29.0	35.0	35.0	14.13	11.06	7.00	9.25	8.06	3.05	1.00	9.88	9.13	7.45
12 x 8	-	-	42.0	16.25	13.06	7.00	9.13	-	3.14	1.13	7.88	-	7.64
12 x 10	-	-	43.0	16.25	13.06	7.00	9.13	-	3.14	1.13	9.88	-	7.64
12	35.0	48.0	45.0	16.25	13.06	7.00	9.13	7.62	3.14	1.13	11.88	9.13	7.33
14	49.0	-	-	19.00	15.25	9.00	-	-	3.39	1.13	-	12.00	-
14 x 15	-	70.0	-	19.00	15.25	9.00	12.00	8.19	3.39	1.13	14.88	-	-
16	63.0	-	-	21.00	17.25	9.00	-	-	3.67	1.13	-	12.00	-
18	74.0	-	-	23.13	19.44	9.00	-	-	3.51	1.13	-	12.00	-



**Fresno Valves & Castings, Inc.**

7736 East Springfield Avenue  
P.O. Box 40, Selma, CA 93662, U.S.A.

**(800) 333-1658**

www.fresnovalves.com