

## SERIES 2600 TYPE B ALFALFA VALVE

### TECHNICAL DATA SHEET



Model 26A

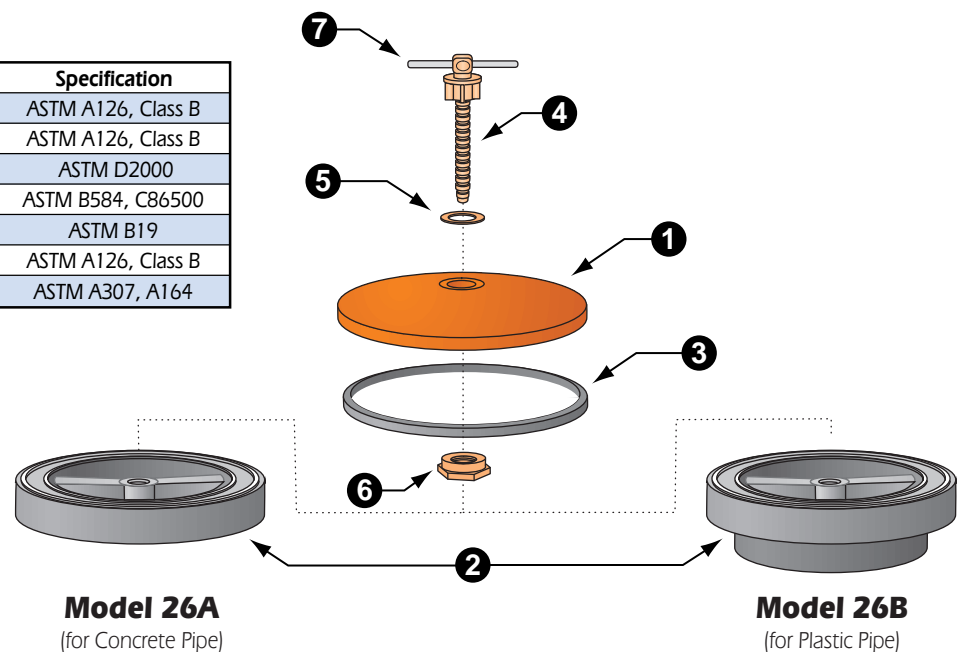
Series 2600 Type B Alfalfa Valve

### Features

- Precision ground seat for watertight operation.
- Bronze screw is corrosion resistant and easy to operate.
- Acme thread for fast opening and closing.
- Cast-in-place bronze bushing won't pull out.
- Rugged Cast Iron frame with integral concave arch guarantees maximum strength.
- Rubber seated cover assures tight seal.
- Specially designed for use with FRESNO and other universal hydrants.
- Heavy-duty convex Cast Iron cover provides added strength.

### Material Specifications

Item	Description	Material	Specification
1	Cover (Lid)	Cast Iron	ASTM A126, Class B
2	Frame	Cast Iron	ASTM A126, Class B
3	Gasket	SBR	ASTM D2000
4	Screw	Manganese Bronze	ASTM B584, C86500
5	Washer	Brass	ASTM B19
6	Nut	Cast Iron	ASTM A126, Class B
7	Cross Pin	Steel, Plated	ASTM A307, A164

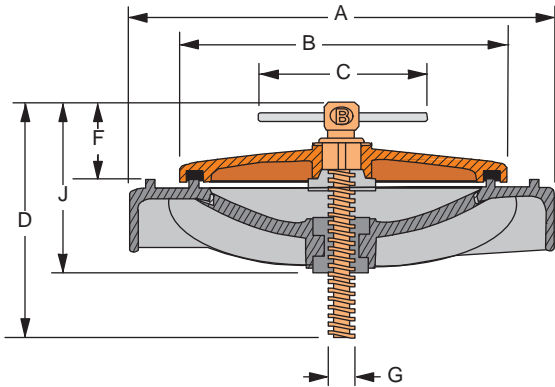


### Applications

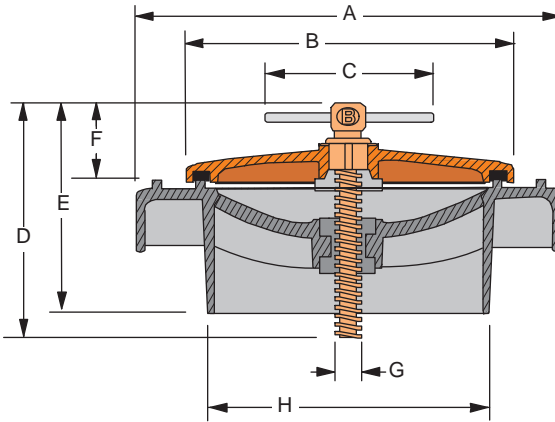
The Series 2600 Type B Alfalfa Valve is an overflow type valve designed for use in surface irrigation systems to provide shut-off and regulation of flow from underground pipelines to irrigation furrows or checks. The Alfalfa Valve is also effective with portable hydrants and gated pipe in row crop irrigation.

# SPECIFICATIONS

## SERIES 2600 TYPE B ALFALFA VALVE



**Model 26A**  
(for Concrete Pipe)



**Model 26B**  
(for Plastic Pipe)

### Pressure Rating

Valve Sizes:

6" – 12" .....	50 ft. (22 psi)
14" – 18" .....	25 ft. (11 psi)
20" – 24" .....	15 ft. (6.5 psi)

### Installation

The Model 26A Valve is designed for use with concrete pipe. Valve frames are normally mortared to the end of the pipe. The Model 26B Valve is designed for use with plastic pipe, the outside of the valve frame is epoxied to the inside of the plastic pipe. Draw bands may be used to provide additional strength at the joint.

### Dimensional Information

Valve Size (Inches)	Model/Weight (lbs)		Dimensions (Inches)								
	26A	26B	A	B	C	D	E	F	G	H	J
6	13.0	-	9.88	2.99	7.00	8.75	-	2.05	0.70	-	5.00
8	16.5	24.0	12.13	9.06	7.00	8.75	7.00	2.75	0.70	7.88	5.81
10	23.0	34.0	14.13	11.13	7.00	8.75	7.25	2.09	0.70	9.88	5.56
12	31.5	54.0	16.44	13.38	7.00	8.75	7.25	2.75	0.70	11.88	5.56
14	45.0	-	19.23	15.31	7.00	8.75	-	2.58	0.70	-	5.44
16	54.0	-	21.10	17.31	9.00	13.06	-	2.88	1.00	-	5.38
18	73.5	-	22.94	19.44	9.00	13.06	-	2.88	1.00	-	7.38
20	83.0	-	25.25	21.44	9.00	19.19	-	4.00	1.00	-	8.31
24	152.0	-	30.50	25.25	9.00	19.19	-	4.62	1.00	-	10.12



**Fresno Valves & Castings, Inc.**

7736 East Springfield Avenue  
P.O. Box 40, Selma, CA 93662, U.S.A.

**(800) 333-1658**

[www.fresnovalves.com](http://www.fresnovalves.com)