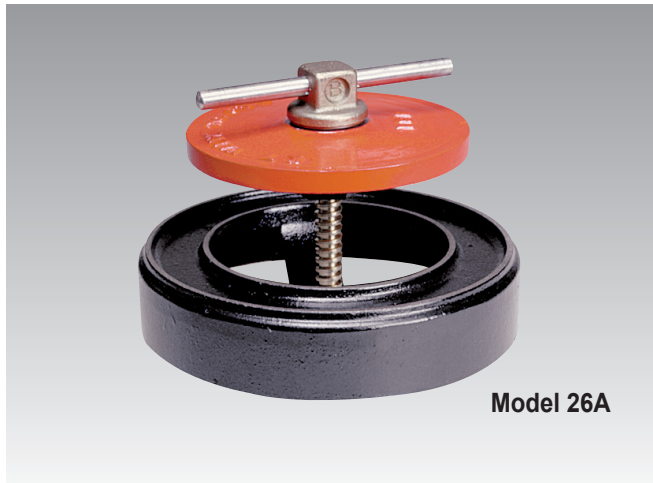


SERIES 2600 TYPE B ALFALFA VALVE

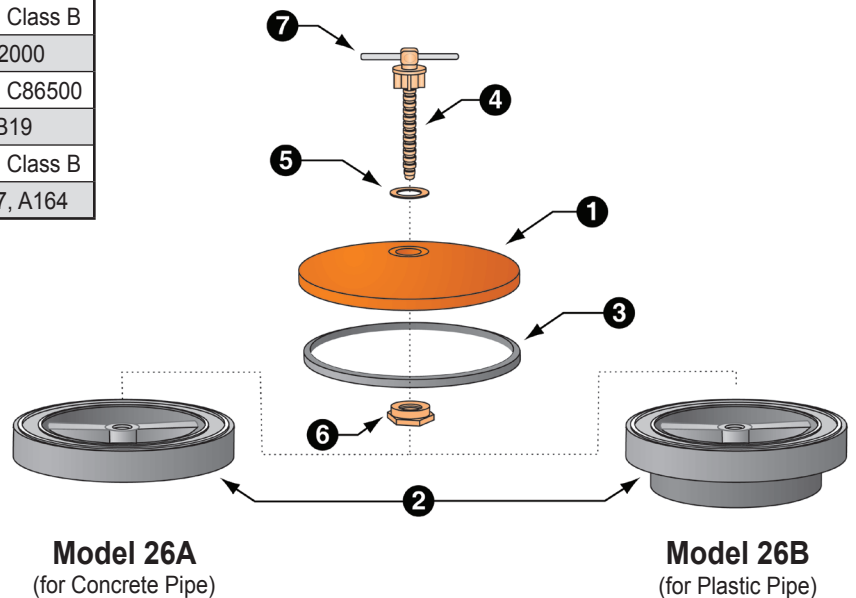


Features

- Specially designed for use with FRESNO and other universal hydrants.
- Precision ground seat for watertight operation.
- Bronze screw is corrosion resistant and easy to operate.
- Acme thread for fast opening and closing.
- Cast-in-place bronze bushing won't pull out.
- Rugged cast iron frame with integral concave arch guarantees maximum strength.
- Rubber seated cover assures tight seal.
- Heavy-duty convex cast iron cover provides added strength.

Material Specifications

Item	Description	Material	Specification
1	Cover (Lid)	Cast Iron	ASTM A126, Class B
2	Frame	Cast Iron	ASTM A126, Class B
3	Gasket	SBR	ASTM D2000
4	Screw	Manganese Bronze	ASTM B584, C86500
5	Washer	Brass	ASTM B19
6	Nut	Cast Iron	ASTM A126, Class B
7	Cross Pin	Steel, Plated	ASTM A307, A164



Applications

The Series 2600 Type B Alfalfa Valve is an overflow type valve designed for use in surface irrigation systems to provide shut-off and regulation of flow from underground pipelines to irrigation furrows or checks. The Alfalfa Valve is also effective with portable hydrants and gated pipe in row crop irrigation.

SPECIFICATIONS

Pressure Rating

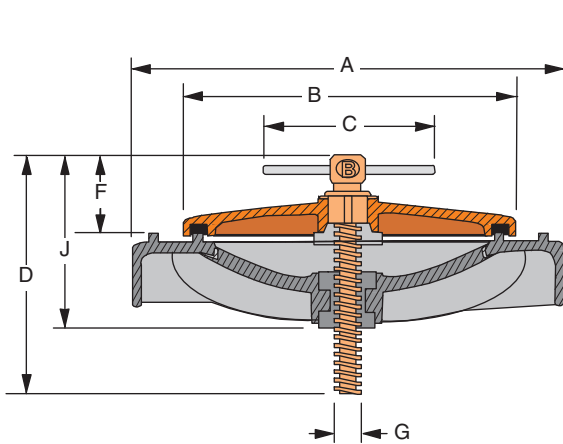
Valve Sizes:

6" - 12"	50 ft. (22 psi)
14" - 18"	25 ft. (11 psi)
20" - 24"	15 ft. (6.5 psi)

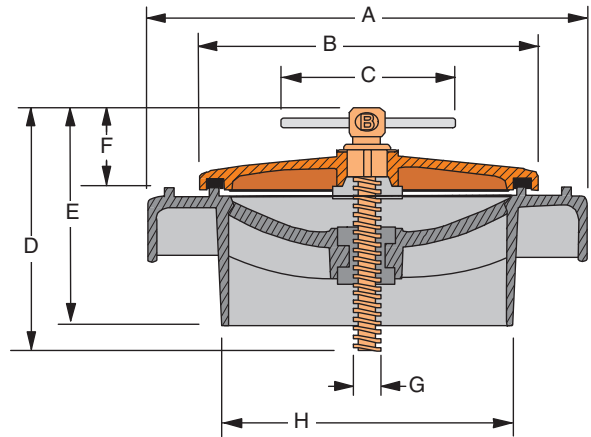
Installation

The Model 26A Valve is designed for use with concrete pipe. Valve frames are normally mortared to the end of the pipe.

The Model 26B Valve is designed for use with plastic pipe. The outside of the valve frame is epoxied to the inside of the plastic pipe. Draw bands may be used to provide additional strength at the joint.



Model 26A
(for Concrete Pipe)



Model 26B
(for Plastic Pipe)

Dimensional Information

Valve Size (Inches)	Model/Weight (lbs)		Dimensions (Inches)								
	26A	26B	A	B	C	D	E	F	G	H	J
6	13.0	-	9.88	2.99	7.00	8.75	-	2.05	0.70	-	5.00
8	16.5	24.0	12.13	9.06	7.00	8.75	7.00	2.75	0.70	7.88	5.81
10	23.0	34.0	14.13	11.13	7.00	8.75	7.25	2.09	0.70	9.88	5.56
12	31.5	54.0	16.44	13.38	7.00	8.75	7.25	2.75	0.70	11.88	5.56
14	45.0	-	19.23	15.31	7.00	8.75	-	2.58	0.70	-	5.44
16	54.0	-	21.10	17.31	9.00	13.06	-	2.88	1.00	-	5.38
18	73.5	-	22.94	19.44	9.00	13.06	-	2.88	1.00	-	7.38
20	83.0	-	25.25	21.44	9.00	19.19	-	4.00	1.00	-	8.31
24	152.0	-	30.50	25.25	9.00	19.19	-	4.62	1.00	-	10.12



Valves & Castings, Inc.

Specifications subject to change without notice.

Fresno Valves & Castings, Inc.

7736 East Springfield Avenue

P.O. Box 40, Selma, CA 93662, U.S.A.

(800) 333-1658

www.fresnovalves.com

Rev. 10/17