

SERIES 2500 ALFALFA VALVE



Description

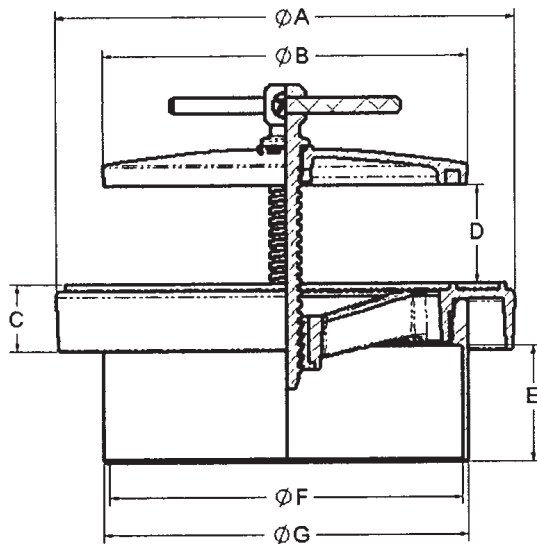
The series 2500 Alfalfa valve offers an east-to-install choice for overflow valves when using plastic pipe. These valves glue on to the outside diameter of plastic irrigation pipe (PIP), or iron-pipe-size (IPS) plastic pipe. Therefore, they are not affected by varying wall thickness due to different pressure ratings of PIP or different schedule ratings of IPS plastic pipe. The outside sealing surface of the frame allows for the installation of a distribution hydrant.

The skirt of the overflow valve is made of PVC. An alternative method of installation when using bell-end IPS is to use the overflow valve with the PIP skirt, since the skirt is made from IPS pipe.

The frame and cover of the overflow valve are made of class 30 grey iron.

The screw and nut of the overflow valve are made of brass. The screw is C84400 semi-red brass and the nut is C36000 free-cutting brass.

The T-handle is stainless steel.



Dimensions

Valve Dia.	Dimensions						
	A	B	C	D	E	F	G
10 PIP	14.00	11.12	2.03	3.00	3.50	10.23	10.75
10 IPS	14.00	11.12	2.03	3.00	3.50	10.23	11.10
12 PIP	16.25	13.14	2.33	3.00	4.00	12.27	12.75
12 IPS	16.25	14.14	2.33	3.00	4.00	12.27	13.20