

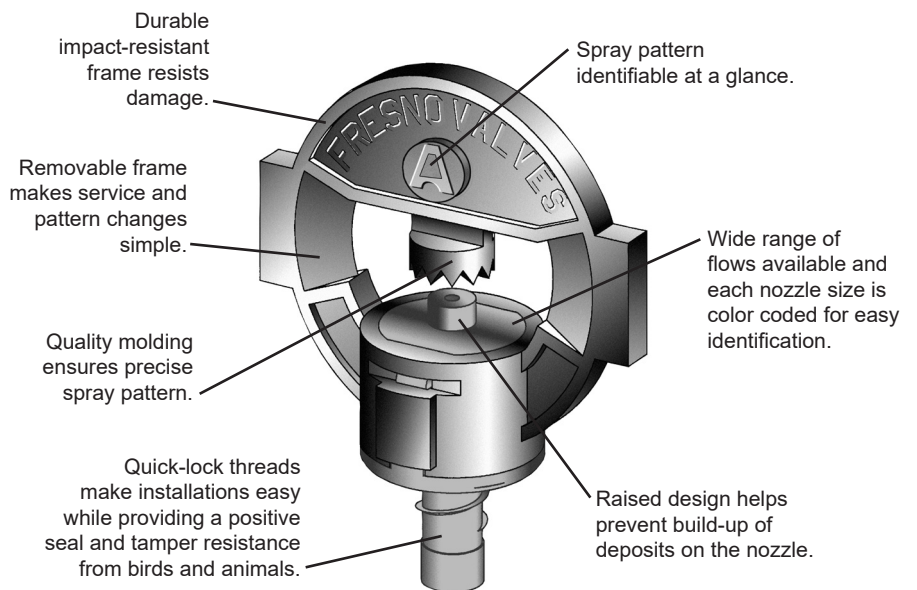
## Model J-95 Low Volume Micro Sprayers



**Model J-95 Low Volume  
Micro Spayer**

### Features

- Wide variety of spray patterns.
- Superior design and durable materials ensure long life and consistent performance.
- Flow ranges from 6 to 24 gph at 20 psi.
- Raised nozzle helps prevent deposits.
- Color coded nozzles for easy flow rate identification.
- Versatile stake with two tube path options and built-in hole punch.

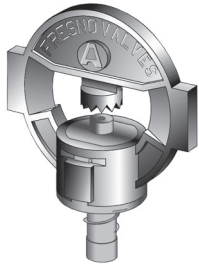


Model Number	Color	Orifice Size	GPH @ 20 PSI	LPH @ 20 PSI
F092-95-"X"30C	Black	.030	5.9	22.3
F092-95-"X"35C	Orange	.035	8.3	31.4
F092-95-"X"40C	Blue	.040	10.6	40.1
F092-95-"X"45C	Violet	.045	14.2	53.7
F092-95-"X"50C	Green	.050	16.7	63.2
F092-95-"X"55C	Yellow	.055	20.5	77.6
F092-95-"X"60C	Red	.060	24.0	90.8

replace "X" with pattern designation. See back page for details.

### Applications

Fresno Micro-Sprayers provide a variety of spray patterns and flow rates that make them the perfect choice in both new and well established orchards, nurseries and greenhouse applications.



# J-95 Micro Sprayer Patterns



"A" Pattern



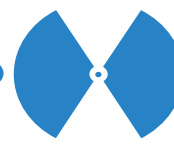
"J" Pattern



"B" Pattern



"N" Pattern



"S" Pattern



"R" Pattern



"H" Pattern

## Approximate Throw (in feet)

Nozzle Size and Color	Pressure PSI	Flow GPH	Flow LPH	Approximate Throw (in feet)								
				High	Low	Diameter	Diameter	Diameter	Diameter	Length	Width	Diameter
30 Black	10	4.3	16.2	10	9	8	12	12	4	10	6	10
	15	5.1	19.3	12	10	10	14	14	5	11	7	12
	20	5.9	22.3	14	10	11	15	15	5	11	8	13
	25	6.6	25.0	14	11	13	16	15	5	12	9	14
	30	7.3	27.6	15	11	14	16	16	6	12	10	15
35 Orange	10	5.9	22.3	14	10	10	14	16	4	12	8	12
	15	7.3	27.6	16	12	12	15	17	4	12	9	14
	20	8.5	32.2	18	13	13	16	19	5	13	9	15
	25	9.5	36.0	19	14	14	17	21	5	13	10	16
	30	10.4	39.4	20	15	15	18	22	5	14	11	18
40 Blue	10	7.4	28.0	15	11	12	15	17	4	14	10	14
	15	9.0	34.1	17	14	14	16	19	4	14	10	16
	20	10.6	40.1	21	15	15	18	21	5	15	11	18
	25	11.8	44.7	22	16	16	20	23	5	16	12	19
	30	12.9	48.8	22	17	17	22	25	5	17	12	20
45 Violet	10	10.1	38.2	19	12	14	18	16	5	13	10	16
	15	12.3	46.6	22	15	15	20	18	5	14	11	18
	20	14.2	53.7	24	17	16	21	20	6	15	12	20
	25	15.9	60.2	26	18	16	23	22	6	16	12	22
	30	17.5	66.2	26	20	17	25	24	6	18	13	24
50 Green	10	11.7	44.3	21	14	14	18	18	-	14	10	18
	15	14.4	54.5	24	16	16	21	20	-	15	11	20
	20	16.7	63.2	26	18	16	23	22	-	17	12	22
	25	18.6	70.4	26	19	17	25	24	-	18	13	24
	30	20.4	77.2	26	20	18	26	26	-	21	14	26
55 Yellow	10	13.7	51.9	22	15	16	19	20	-	16	11	-
	15	17.8	67.4	24	16	16	21	22	-	17	12	-
	20	20.5	77.6	26	18	18	23	24	-	18	13	-
	25	22.9	86.7	28	20	19	25	26	-	20	14	-
	30	25.1	95.0	29	22	20	27	28	-	22	14	-
60 Red	10	17.0	64.3	24	16	16	21	22	-	16	13	-
	15	20.8	78.7	26	18	17	23	24	-	18	13	-
	20	24.0	90.8	28	20	18	25	26	-	20	14	-
	25	26.8	101.4	30	22	19	27	28	-	22	16	-
	30	29.4	111.3	32	24	21	30	30	-	23	17	-

NOTE: Verified by the Center for Irrigation Technology, (C.I.T.), Fresno, CA

Fresno Valves & Castings, Inc.  
 7736 East Springfield Avenue  
 P.O. Box 40, Selma, CA 93662, U.S.A.  
 (800) 333-1658  
 www.fresnovalves.com

Sheet No. 2200-1/18



Specifications subject to change without notice.